



SPA  
MANUAL  
VISTA

---

CASA BIUI

Proper preparation of the premises and systems will ensure a safe and rapid installation of the spa. For this reason we advise you to read this manual carefully and to carefully follow all the information contained herein.

## **⚠ WARNING**

### **REDUCE THE RISK OF ELECTROCUTION**

1. If any malfunction is detected in the unit, cut power off and ask for assistance.

### **REDUCE THE RISK OF CHILD SYNCOPE**

1. Do not use this unit accompanied by children.
2. Spikes of heat stress can prove specially harmful for children.

### **REDUCE THE RISK OF OVERHEATING**

1. Check with your physician before use if pregnant, diabetic, in poor health or under medical care.
2. Exit immediately if uncomfortable, dizzy or sleepy. Sauna sessions can cause hyperthermia and unconsciousness.
3. High temperatures in conjunction with alcohol, drugs, or medication can cause unconsciousness.

**WHEN PREGNANT**, long periods of time under intense heat can harm your fetus. Measure the duration & intensity of your sessions responsibly.

1. Do not enter the sauna if the cabin is hotter than 100° F (38° C).
2. Do not stay in the sauna for more than 10 minutes.





### SAFETY RISKS

- Risk of fire. Before switching on the heater, always check that no towels, clothing, accessories, or other foreign objects are on, above, or near the heater.
- Risk of burns from hot steam. Never throw water on the stones when a person is in the immediate vicinity of the heater.
- Risk of fire or equipment damage. Do not operate the heater unless it is properly filled with the correct sauna stones.
- Risk of fire. Do not cover the heater or place any object other than approved sauna stones on or above it.
- Risk of entrapment. The sauna door must always open outward and must not lock or use a permanent latching system.

### ! WARNINGS

- Read and follow all instructions before installation, operation, or maintenance.
- Installation, electrical connection, grounding, and bonding must be carried out by qualified personnel in accordance with all applicable local and national regulations.
- Users with reduced physical, sensory, cognitive capabilities, or without adequate experience, may only use the sauna under proper supervision.
- Do not install electrical outlets inside the sauna room.
- Do not block ventilation openings. Adequate airflow must be maintained at all times. Improper ventilation may over-dry materials and create a fire hazard.
- The heater must not be operated unless it is properly filled with the correct sauna stones. Inspect stones regularly and replace broken or deteriorated stones as needed.
- Pregnant or possibly pregnant women must consult a physician before using the sauna.
- The use of alcohol, drugs, or medication before or during sauna use may lead to unconsciousness or fatal hyperthermia.
- Persons using medication, or persons with obesity, heart disease, high or low blood pressure, circulatory disorders, diabetes, clotting disorders, or similar medical conditions, must consult a physician before using the sauna.
- Persons with infectious, skin, or contagious diseases must not use the sauna.
- Do not use the sauna immediately after strenuous exercise.

- Risk of electric shock. No electrical outlets or receptacles shall be installed inside the sauna room.
- Risk of burns. Light fixtures may become very hot during operation and must be located and used to avoid burn hazards.
- Risk of fire or overheating. Minimum safety clearances between the heater and combustible materials must be maintained at all times.
- Risk of unsafe operation. Discontinue use immediately if overheating or unusual darkening is observed around the heater area.
- Risk of fire. Do not use the sauna for drying clothes, towels, swimwear, or other textiles.

- Hyperthermia may occur when the body temperature rises above normal. Its effects may include dizziness, drowsiness, lethargy, fainting, impaired judgment, inability to recognize heat, inability to leave the sauna and fetal damage during pregnancy.
- If the product is equipped with a GFCI, it must be tested before each use according to the manufacturer's instructions.
- Unauthorized modifications, tampering, misuse, or maintenance not performed as instructed may cause injury, death, equipment damage, and void the warranty.
- During installation and maintenance, keep unauthorized persons away from the work area.
- Before performing any maintenance, disconnect the electrical supply.
- Cleaning and disinfecting chemicals must be kept tightly closed, properly labeled, and stored out of reach of children and pets.
- Keep the sauna door closed during heating to avoid overheating and improper operation.
- Throw water only on the stones. Do not pour water on walls, benches, platforms, controls, or lighting. Use only clean tap water unless the heater manufacturer explicitly allows another product.

**CAUTION: MAINTENANCE SUBSTANCES**

- Maintain the sauna clean, dry, and well ventilated after each use.
- Perform regular maintenance to ensure safe, hygienic, and reliable spa operation.
- Use appropriate personal protective equipment during installation, maintenance, and chemical handling.
- Use only products and chemicals specified or approved by the manufacturer.
- Wipe benches and walking surfaces with a clean damp cloth after use. Do not allow standing water to remain on wood surfaces.
- Do not place objects inside the sauna during installation or maintenance, as they may fall into the system or damage components.
- Do not use a hose, pressure washer, or a direct stream of water inside the sauna.
- Use only suitable sauna cleaning products. Do not use bleach, aggressive disinfectants, or incompatible chemicals that may damage surfaces.
- Store chemicals in a cool, dry place away from heat sources.
- Dispose of packaging materials in accordance with local regulations and keep them away from children and animals.
- Do not dry clothing, rugs, textiles, or other items inside the sauna.
- Keep the area around the sauna clean and free of debris, vegetation overgrowth, and combustible materials. This follows the outdoor installation and moisture-control guidance in the outdoor manuals.
- Inspect the exterior cladding and weather-exposed components at least annually. Exterior maintenance should be performed regularly, and more often in demanding outdoor conditions.
- If the sauna is used frequently, interior benches, floor grids, and similar wood components should be inspected and maintained periodically to preserve safety and durability.

**NOTICE**

- **Use only products and chemicals specified or approved by the manufacturer**
- **Contact the manufacturer if any instruction is unclear.**
- **Keep this manual for future consultation.**

**WARRANTY**

**The manufacturer *cannot be held responsible and voids warranty* in the case of:**

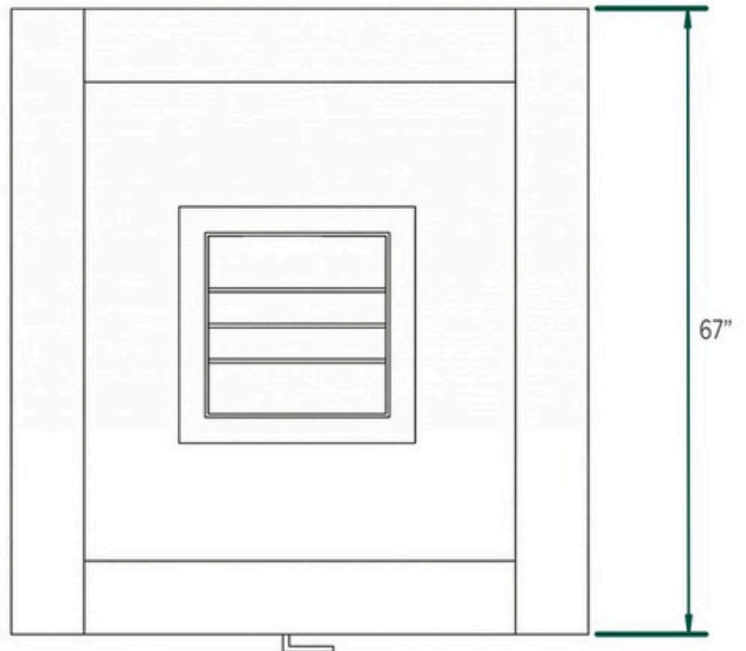
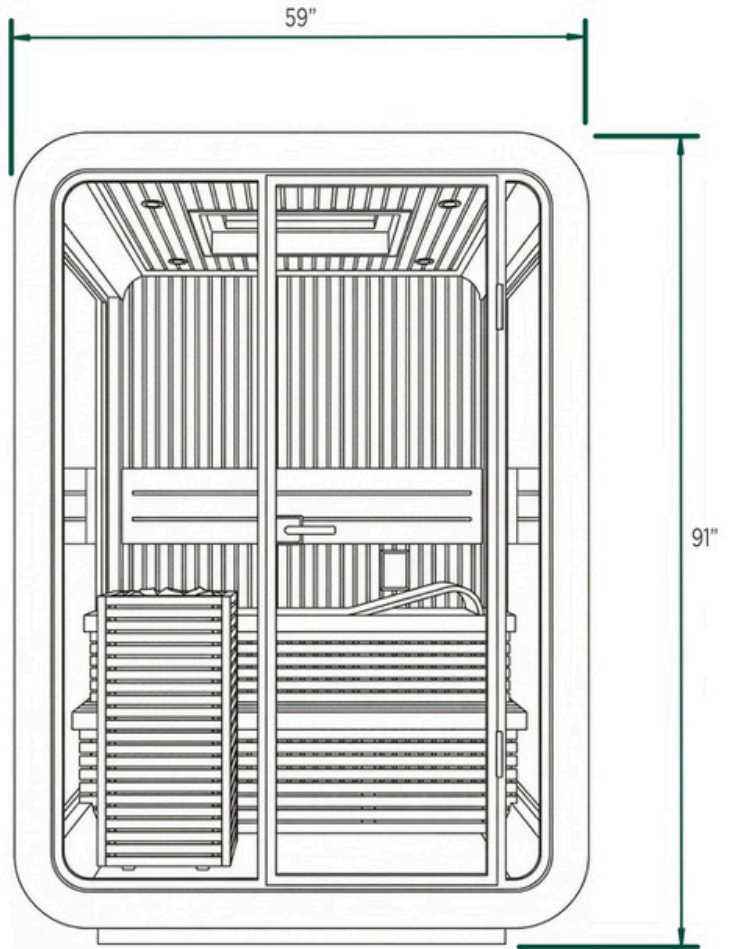
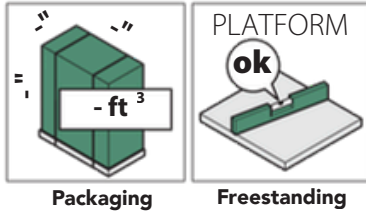
- Installations or connections that are not compliant or that are carried out without following the national regulations concerning civil and industrial installations.
- Pre-installation and installation carried out by unqualified personnel or otherwise not in compliance with the instructions in the pre-installation and installation requirements of the product;
- Incorrect preparation of the installation environment, including load-bearing surfaces;
- Accidents and damage due to a non-compliant installation or use of the bathtub;
- Masonry works that prevent the removal and handling of the spa or defective parts thereof.
- Product installations for which an according compliance checklist has not been submitted by the installer.
- The installer, acting on behalf of the seller or user, does not conduct an appropriate inspection of the Product's condition before installation. The warranty will not be valid if the Product is installed without this inspection.
- The installer, acting on behalf of the seller or user, does not ensure a correct spa (and all of its components) operation once installed, in order to confirm proper installation and water-hardness. The warranty will not be valid if this verification is not carried out.
- the Product being inspected, repaired, maintained, or handled by an unauthorized person without the manufacturer's knowledge & previous approval.
- All damage to the product resulting of unusual or extraordinary wheather conditions or climatic events are not covered by warranty.

# PRE-INSTALLATION

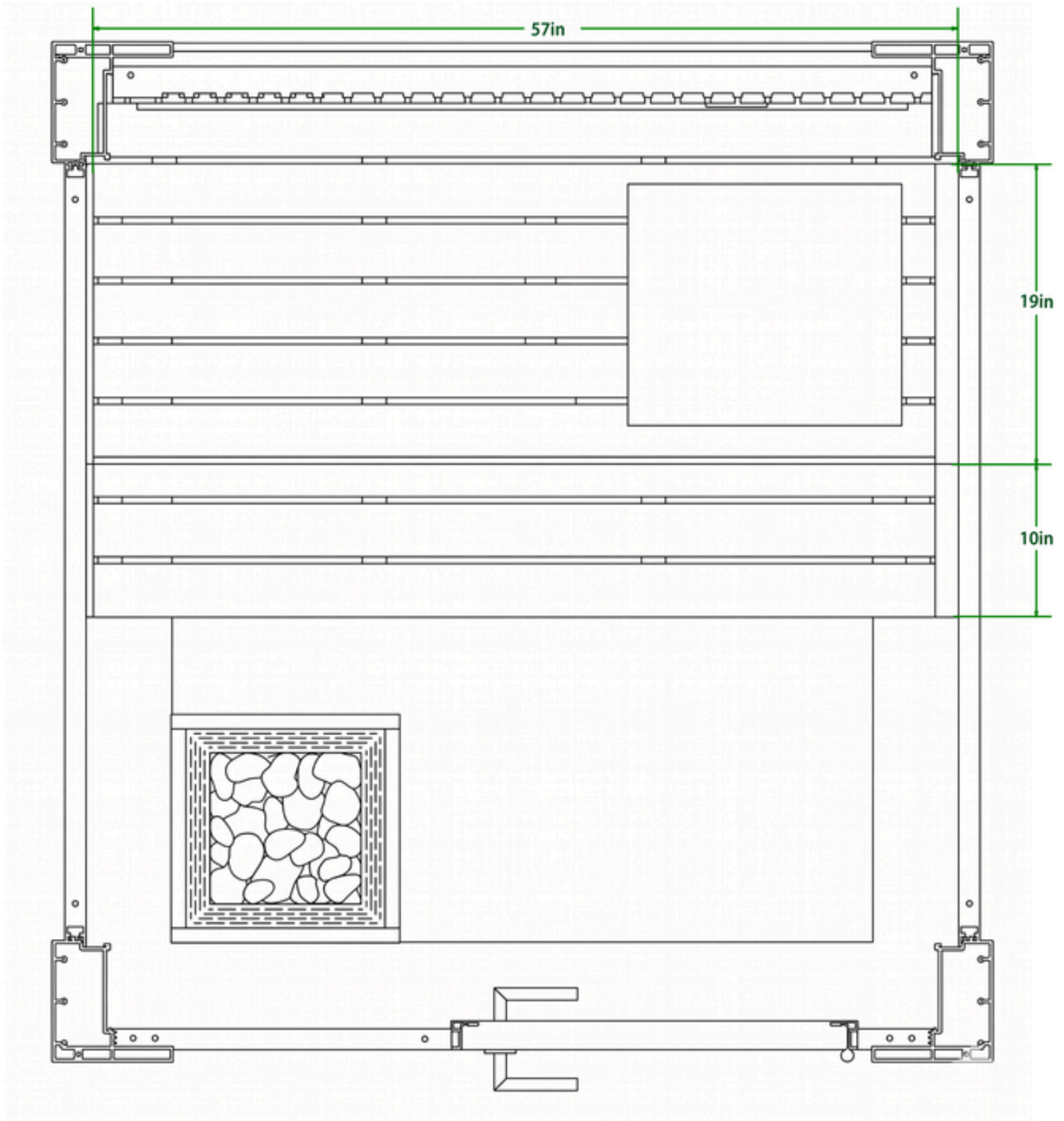
1	MEASUREMENTS AND TECH SPECS	6
2	IDENTIFICATION OF THE INSTALLATION SITE	10
3	PREPARATION OF THE INSTALLATION SITE	11
4	ELECTRICAL PREPARATIONS	12

# 1 MEASUREMENTS AND TECHNICAL SPECIFICATIONS

## TECHNICAL DRAWINGS




The manufacturer reserves the right to make improvements to the equipment at any time, without prior notice. Partial reproduction without the manufacturer's consent is prohibited. Measurements are purely indicative and not binding.



The manufacturer reserves the right to make improvements to the equipment at any time, without prior notice.  
Partial reproduction without the manufacturer's consent is prohibited.  
Measurements are purely indicative and not binding.

## TECHNICAL SPECIFICATIONS

CAPACITY:	
TOTAL SEATS:	2 seats
DIMENSIONS:	59" x 67" x 91"
WEIGHT:	1852 lb
ELECTRICAL:	230V - 30A
DISPLAY:	HUUM UKU mirror / VAPA CH32
CONTROL SYSTEM:	HUUM UKU / VAPA CL40WL
HEATER:	6kW
GLASS:	Tempered Mirrored
STRUCTURE:	Aluminum

**IMPORTANCE & INSTALLER PROFILE**

The sauna works efficiently and safely if it is installed correctly and in compliance with the regulations in force in the country of use.

This pre-installation guide provides information for a proper preparation of the environment & electrical connections. This allows for a quick and safe installation.

**The pre-installation stages involve the following professionals:**

- A civil engineer for the calculation of the loading capacity of the platforms or floors;
- A qualified and certified company that will prepare the installation site according to the instructions provided in this guide, following current work safety regulations;
- Certified and qualified electrician who prepares electrical systems in compliance with local and national regulations regarding civil and industrial systems;

***The user must promptly notify the professionals of any existing underground obstacles like gas, water, electrical or telephone lines.***

Upon completion of pre-installation all specialists must issue a **procedure compliance checklist** of the systems installed. Without such document, the Manufacturer declines any responsibility for damage to the systems or premises where the spa is or will be installed.



We recommend checking with the appropriate state entities to see if there are constraints that prevent installation or if any form of permit is required.

An incorrect pre-installation could cause structural damage to the unit & its surroundings, resulting in warranty voidance.

### **TEMPORARY POSITIONING**

The sauna must be installed immediately upon receipt. If, for any reason, it is necessary to place the sauna in a temporary location, it must be placed on its box and pallet so that it can be moved easily.

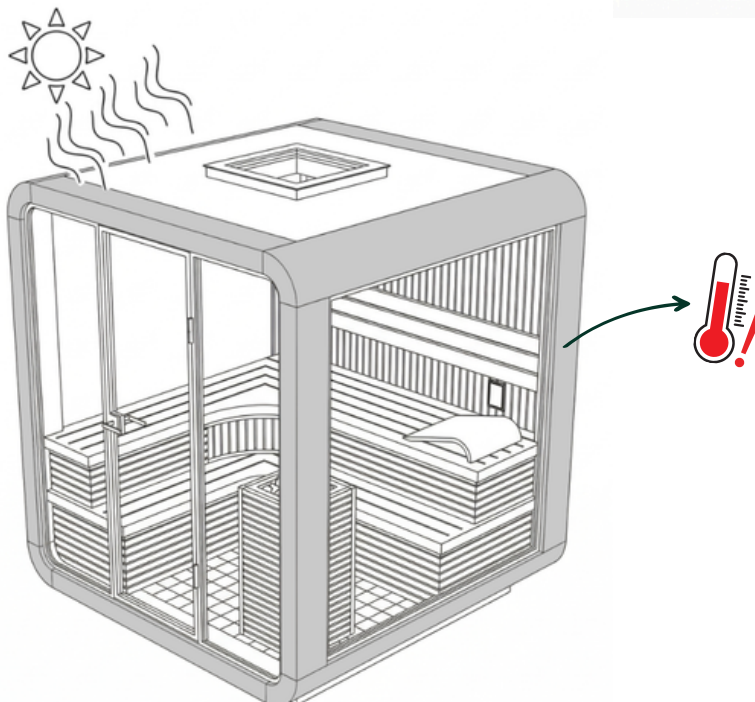
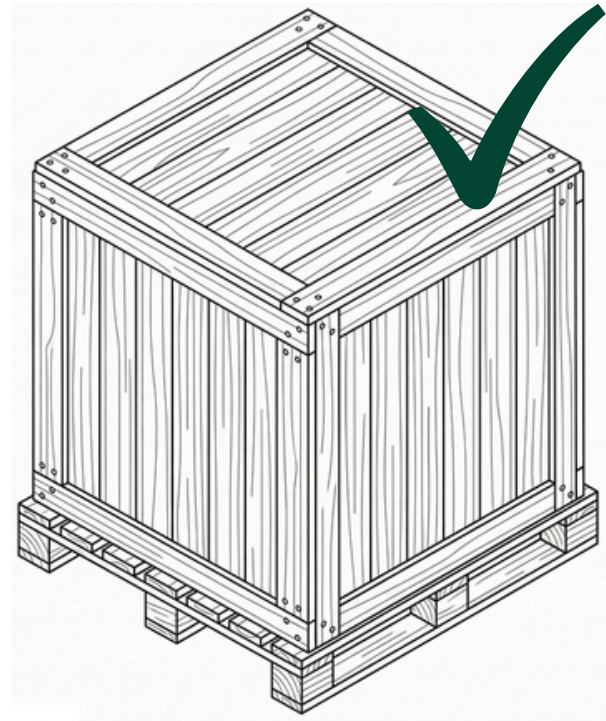
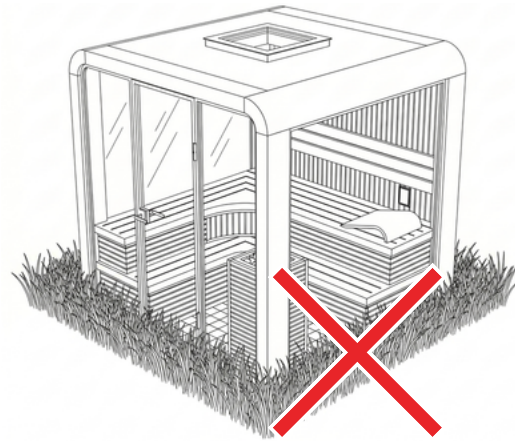
The surface on which it is temporarily placed must meet the same specifications as the surface where it will be installed. In other words, it must be able to support the weight of the sauna.

***Since the temporary base may shift, it is recommended to leave the sauna in that position for the shortest possible time.***



The sauna is designed to withstand direct sunlight. However, please exercise caution, as the aluminum panels can become excessively hot.

This can cause minor skin burns, especially on extremely sunny days. Please be careful.



## 2

## IDENTIFICATION OF THE INSTALLATION SITE



Before selecting the installation site, verify all applicable local building, fire-safety, and electrical requirements.

The chosen location must allow safe installation, proper operation, and convenient access for inspection and maintenance. The heater output must be appropriate for the sauna room volume, and any uninsulated glass, tile, brick, or log surfaces must be considered when calculating the effective room size.

The outdoor sauna must be installed on a solid, flat, and level foundation capable of supporting the full operating weight of the unit.

A concrete pad or equivalent structural base is recommended.

The site must also provide adequate clearance from surrounding structures and vegetation, as required by the manufacturer and local regulations.

At least **20"** of clearance are needed **around the sauna.**

The site of installation must take into consideration the opening range of the unit's doors, since the general dimensions represent only its footprint,



Take into account the proximity of trees or hedges, and note that debris (e.g., leaves) can cause damage to the equipment over time that is not covered by warranty and make maintenance more expensive and frequent.

Also assess the best position to safeguard privacy and respect for others, as well as the best view or climatic position consistent with local regulations.



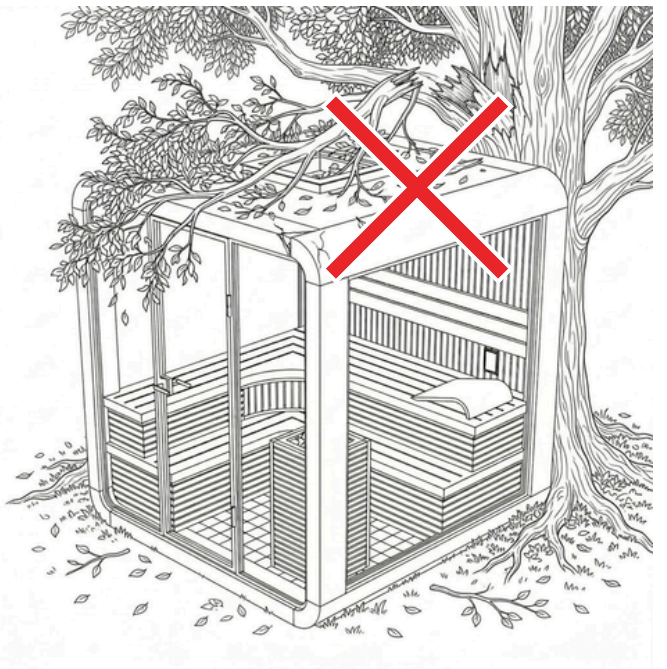
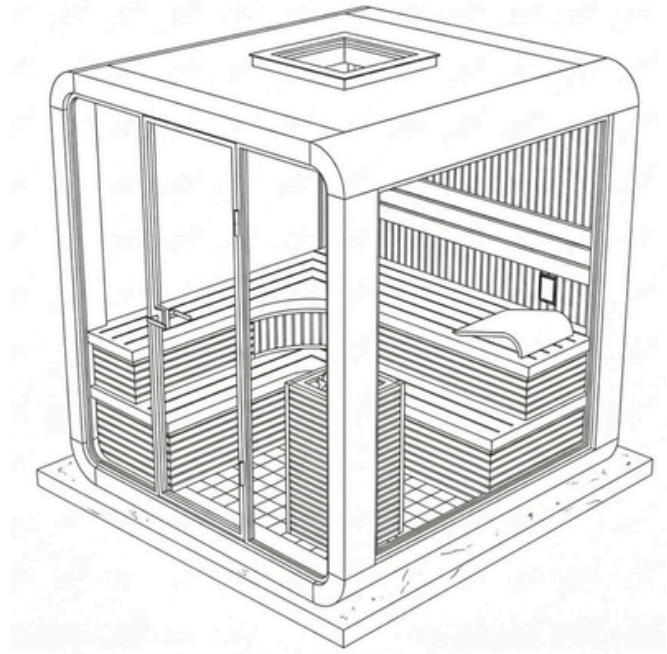
Consider the geological composition of the soil on which the supporting platform will be built.

For outdoor use, install the sauna heater only in a location where it can be mounted on a non-combustible surface and where all required clearances can be respected.

The installation area must allow safe operation and must remain free of nearby combustible items or materials.

Keep all air inlets and exhaust paths unobstructed at all times. Do not place towels, clothing, wood items, or any other flammable objects near the heater.

Where needed, install a safety railing to reduce the risk of accidental contact with hot surfaces.



### 3 PREPARATION OF THE INSTALLATION SITE



Before preparing the foundation, review the electrical installation section to confirm the heater location, control box position, cable routing, wire sizing, grounding, and breaker requirements.

All final electrical connections must be completed by a licensed electrician in accordance with national and local codes.

#### **FREESTANDING INSTALLATIONS**

Install the sauna on a solid, flat, and level surface capable of supporting the full floor area and the combined weight of the sauna room, heater, stones, and maximum occupants.

A properly leveled concrete pad of suitable thickness is the recommended solution, although an equivalent structural platform may also be used where permitted by local code.



Choose a location with good drainage and avoid areas where water may collect around or under the sauna. For outdoor installations, maintain at least 24 in. of clearance from nearby structures and vegetation, and anchor the sauna when required by local regulations.

#### **Necessary installation features**



The installation site must provide unobstructed inlet and exhaust ventilation, safe access to the electrical supply, and sufficient space for assembly and service. Before installation, remove debris, verify the surface is level, and confirm accessibility to the power source.

#### **POSSIBLE CONCRETE PAD CONFIGURATIONS**

1) Same as spa size



Clean & seamless

2) +20" front & back

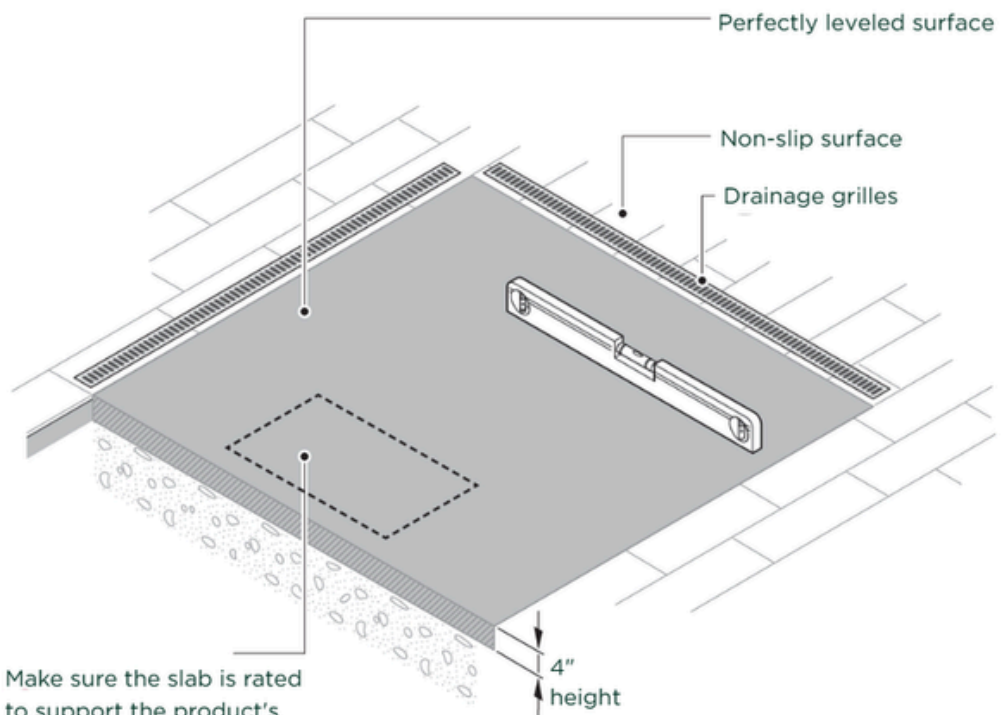


Sturdy support for accessories

2) +20" all sides



Symmetry & versatility



Make sure the slab is rated to support the product's **FILLED WEIGHT.**

## 4

**ELECTRICAL PREPARATIONS**

The Casa Blui saunas are built in compliance with UL laws and are tested during production to ensure the safety of the installer and user. The connection must be made by an experienced, qualified electrician.

**a) READ AND FOLLOW ALL INSTRUCTIONS**

**b)** A green coloured terminal or a terminal marked G, GR, Ground, Grounding, or the symbol\* is located inside the supply terminal box or compartment. To reduce the risk of electric shock, this terminal must be connected to the grounding means provided in the electric supply service panel with a continuous copper wire equivalent in size to the circuit conductors supplying this equipment. \* IEC 60417, Symbol 5019.

**c) To be used, the sauna requires a dedicated 240V, single-phase electrical connection protected by a 30A BREAKER.**

**c) SAVE THESE INSTRUCTIONS.**

The Manufacturer is not responsible for connections made in a way that does not comply with local codes, the specifications in this manual or tampering with any electrical component of the sauna.



**WARNING -** This product is provided with a ground-fault circuit-interrupter.

The GFCI must be tested before each use. With the product operating, open the service door.

When the product stops operating, this merely indicates that the door is equipped with an electrical interlock. Next, push the test button on the GFCI and close the service door.

The product should not operate. Now open the service door, push the reset button on the GFCI and close the service door. The product should now operate normally. When the product fails to operate in this manner, there is a ground current flowing indicating the possibility of an electric shock.

Disconnect the power until the fault has been identified and corrected.



Local regulations prohibit any electrical installation (plug sockets, switches, lamps, etc.) in the area surrounding the sauna for a distance of at least 23.6 inches and a height of 90.5 inches.

# INSTALLATION

1	PRELIMINARY OPERATIONS	14
2	CHECKING SAUNA INTEGRITY	14
3	TRANSPORT AND POSITION	15
4	VAPA SD75E HEATER SETUP	16
5	VAPA CL40WL-R INTERFACE SETUP	19
6	HUUM CORE 6 HEATER SETUP	25
7	HUMM UKU MIRROR INTERFACE SETUP	27

## 1 PRELIMINARY OPERATIONS

Before installing the sauna, check that everything has been prepared.

Check that:

- A reinforced concrete platform, with a minimum thickness of 3.9-4 inches, has been placed, perfectly flat, leveled and suitable for supporting the weight of the sauna and the people within.
- Ø6 inches vents have been installed to ensure proper ventilation of the technical compartment (in case of recessed spas).
- Drainage grating around the perimeter has been installed to help preserve the equipment and the structure (even for indoor installations);
- Non-slip flooring has been installed in the area around the spa
- For a recessed installation, a technical inspection port measuring at least 20 inches wide has been prepared on all sides of the spa;
- The connections to the electrical grid have been made in compliance with current regulations in force in the country/state of installation;
- A water softener has been installed for the water used to fill the spa if the water has a high degree of hardness;
- For outdoor recessed versions, the walls have been insulated to protect against the cold.

### More information

#### INSTALLATION

##### Preparations

To run the electric cables from the main electrical panel to the sauna underground ducts must be used and adequately protected against freezing by using proper insulation. It is also recommended to add drainage points in them to prevent standing water.

Choice of position: take into account the proximity of trees or hedges, and note that falling objects (e.g branches, logs, etc) can cause damage to the equipment that is not covered by warranty and make maintenance more expensive and frequent. It is also recommended to always install flooring around the sauna, optimally anti-slip.

## 2 CHECKING SAUNA INTEGRITY

After having removed the spa from the packing, check its integrity.



Check:

- That there is no visible structural damage;
- That there are no cracks in the surface of the spa or in the outer covering (cracks due to incorrect transport or support are not covered by the warranty);
- The correct position of the sleeves and pipes;
- That all straps are correctly tightened.

**If you notice any anomalies, do not proceed with the installation but rather promptly contact the Manufacturer.**

### 3 TRANSPORT AND POSITION

#### TRANSPORT

To move the sauna to the place of installation a suitable lifting device (e.g., pallet jack) is required. Before moving the unit, make sure that it can easily pass through any arches or fences on the way to reach the desired place of installation.



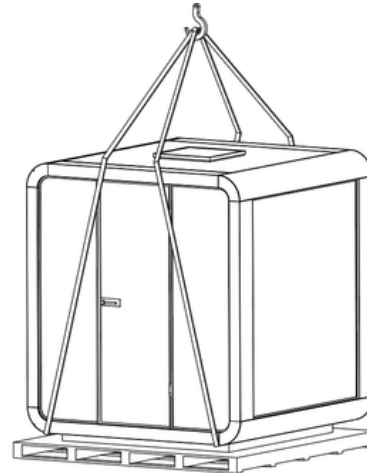
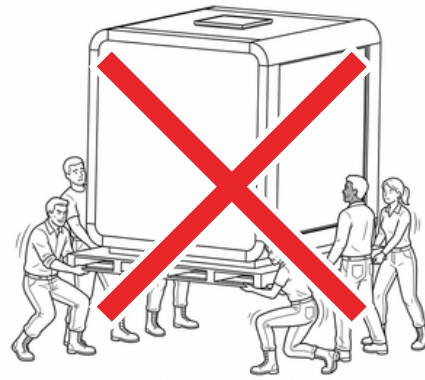
Movement must be carried out using personal protective equipment (e.g., gloves, safety shoes, etc.) and taking all the necessary safety precautions for those involved and to not damage the sauna.



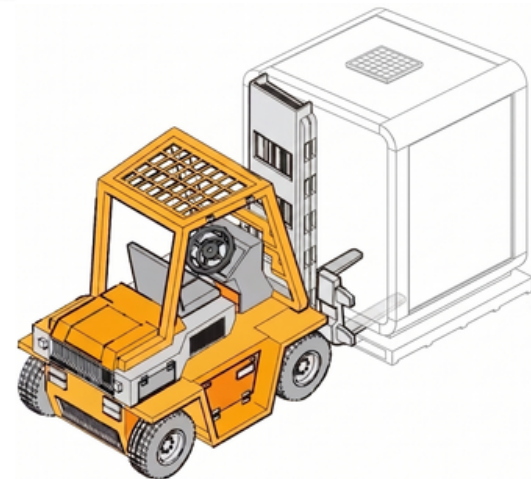
During transport, lift the sauna from the pallet by forklift or from the bottom section of the sauna if lifted by a crane.



During movement, the surrounding area must be kept free of people not involved in the operation, animals or objects (e.g., packaging, etc.) that could get in the way.



#### APPROVED MOVING EQUIPMENT



#### POSITIONING

##### TEMPORARY POSITIONING

Before installing and assembling the sauna, ensure that the packaging is in perfect condition and contact us immediately if the packaging is damaged. If it is necessary to place the unit temporarily before installation, position it right-side up and on a flat and surface.

##### POSITIONING IN THE PLANNED LOCATION

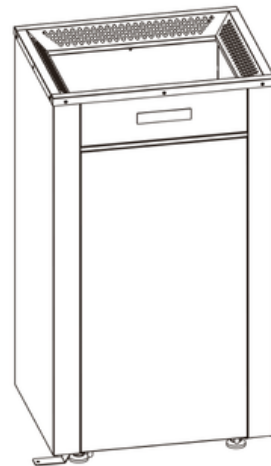
The base of the unit is to be lowered on a smooth, flat and level surface capable of supporting the full operating weight, and ensure proper drainage and ventilation where applicable.

## 4 VAPA SD75E HEATER SETUP

### ELECTRICAL CONNECTION

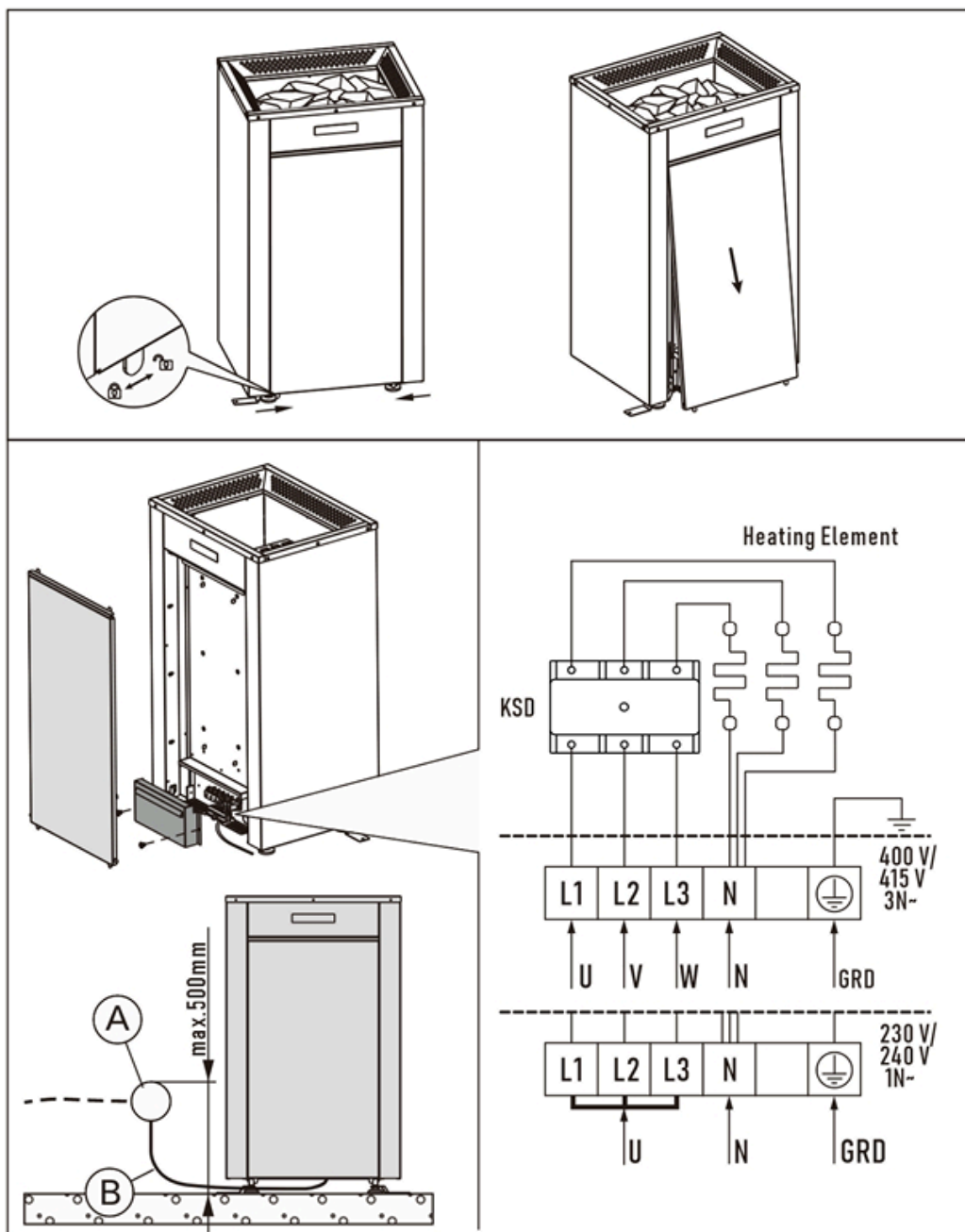
The connection of the heater may only be carried out by a qualified electrician authorized to perform this type of work, in accordance with current regulations.

1. The heater is connected to the junction box (Figure, A) on the sauna wall with a flexible cable. The junction box must be splash-proof and located no more than 500 mm from the floor.
2. As the cable (Figure, B), use a rubber cable of type HO7RN-F or similar.

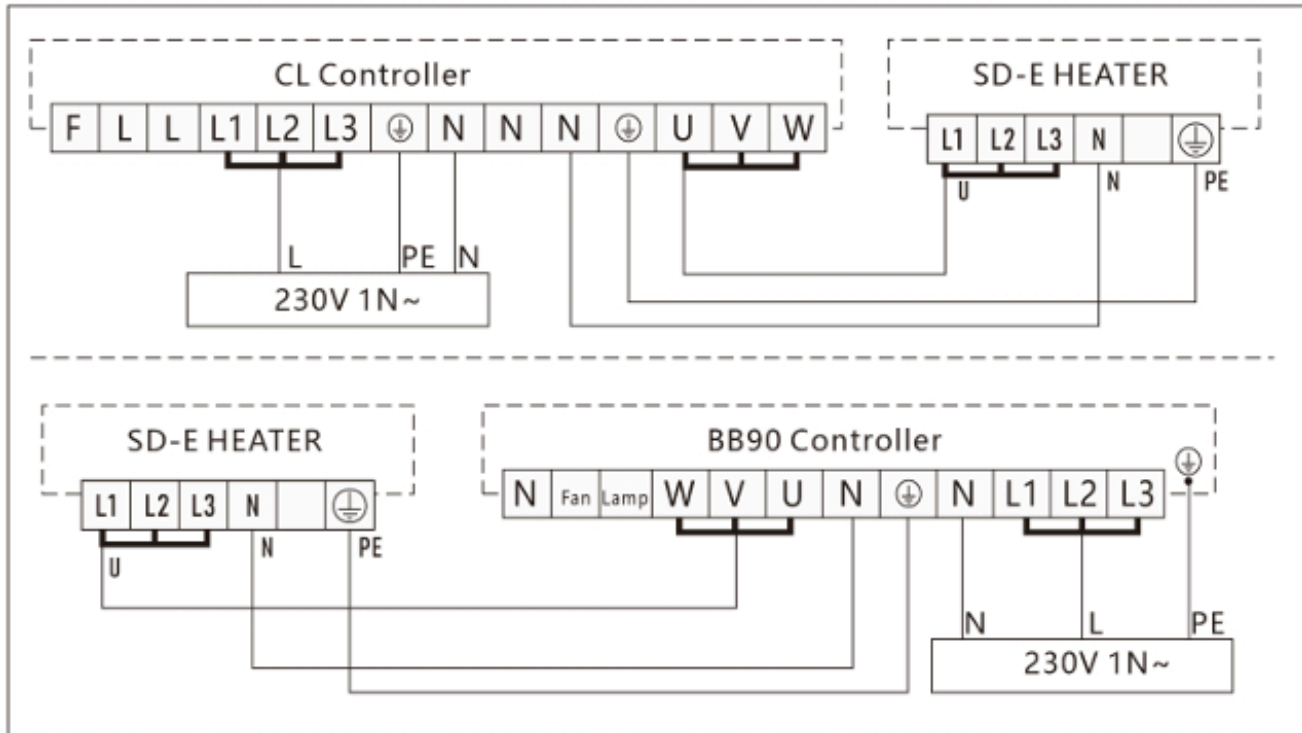


### WARNING

Due to thermal embrittlement, the use of PVC-insulated wire as the connecting cable of the heater is forbidden.

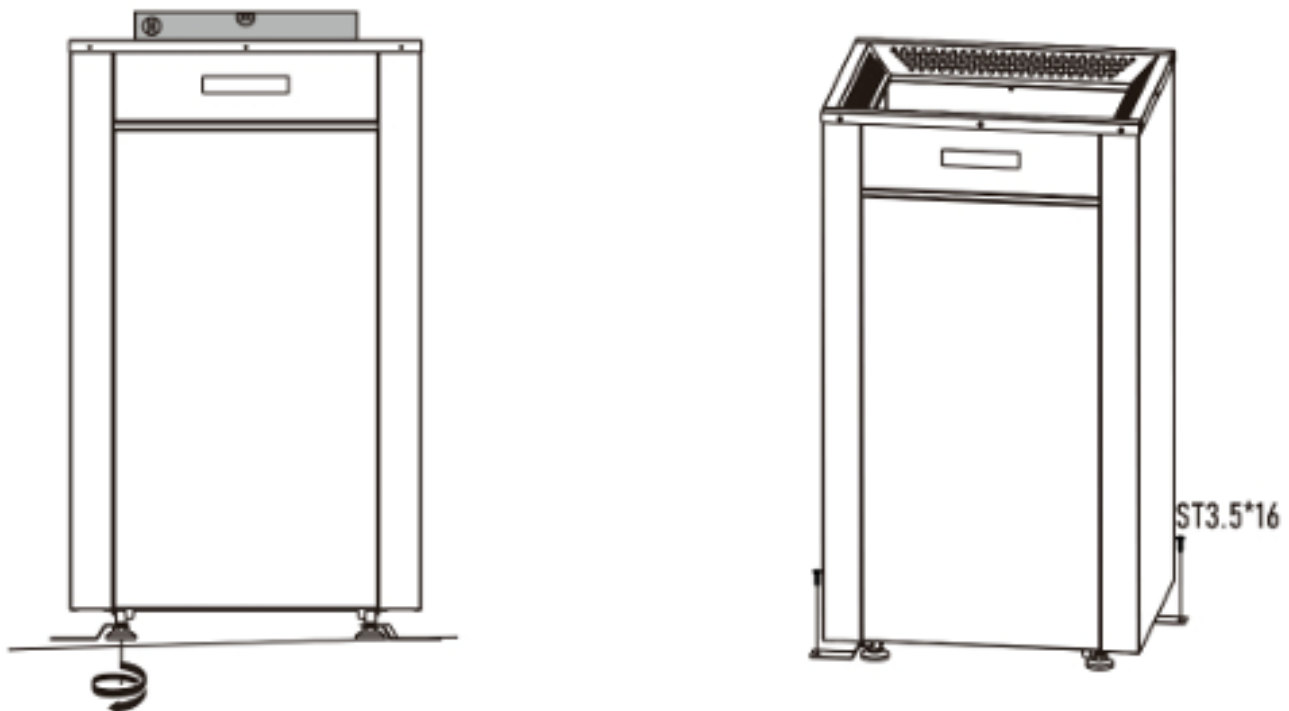


3. If the connecting or installation cable is routed to the sauna, or through the walls of the sauna, at a height of more than 500 mm, it must withstand a temperature of 170 °C under full load. Devices installed at a height of more than 500 mm from the sauna floor level must be suitable for use at a temperature of 125 °C (marked T125).
4. The connection of heaters to 240V 1N- networks is shown above with more detailed connection diagrams provided in the following.

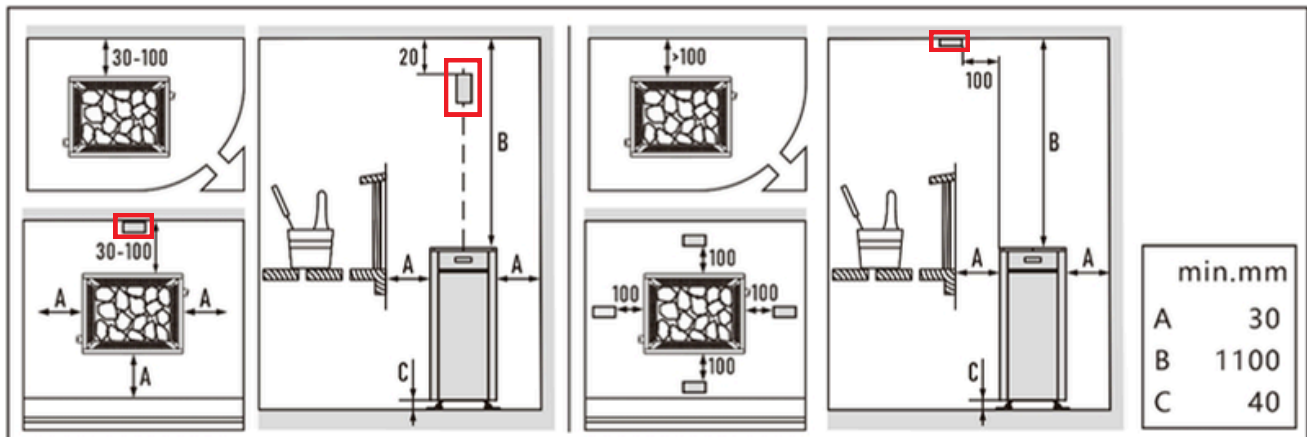


## HEATER ANCHORING

Install the heater and align it so that it stands strictly vertically, using height-adjustable legs. Attach the heater in two points to the floor.



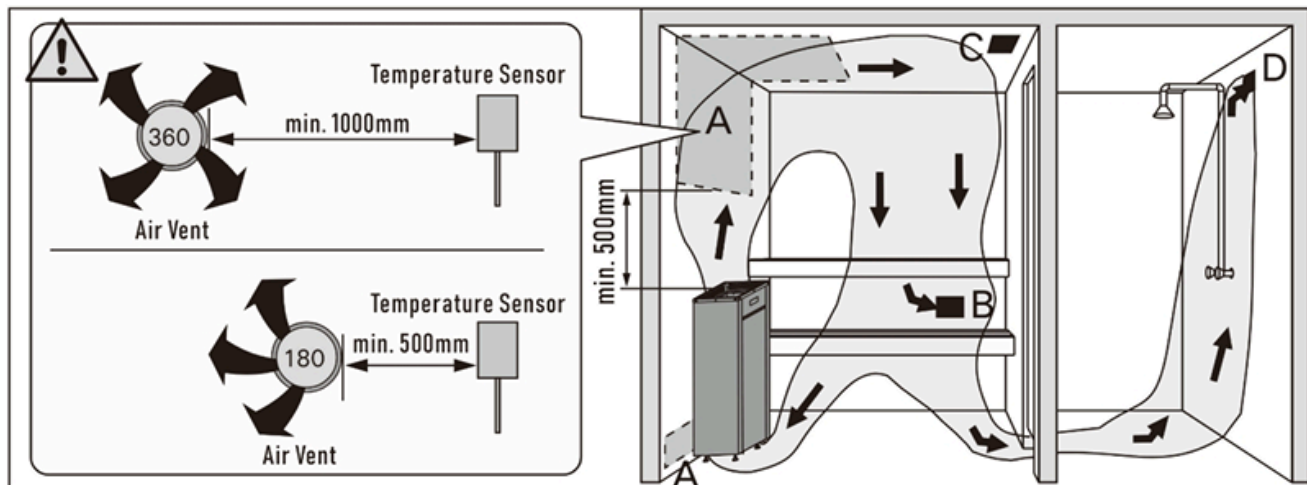
Install the temperature sensor on the sauna wall as shown in the image:



More detailed instructions about the temperature sensor installation are covered in the **vapa CL40WL-R interface setup section**.



Air from the supply ventilation opening should not cool the temperature sensor.



## OVERHEAT PROTECTION RESET

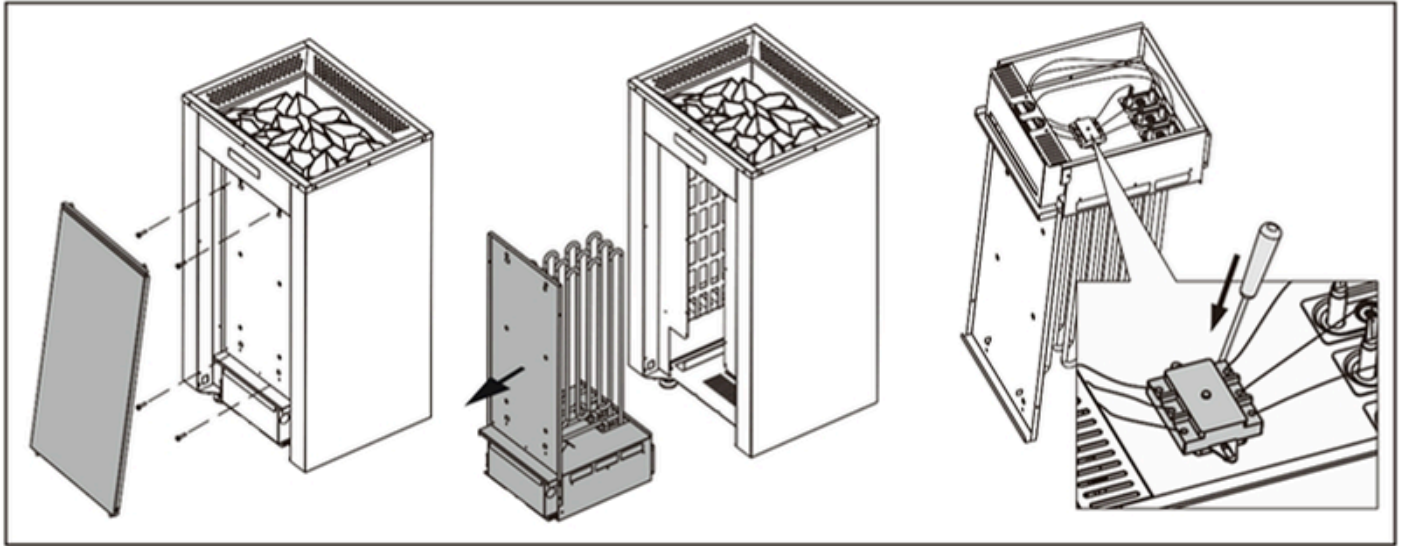
If the temperature in the sauna becomes too high, the safety device will cut off power to the heater. After the heater has cooled down, the overheating protection device can be reset to its original position. Before pressing the reset button, it is necessary to determine the cause of the overheating. Possible reasons include:

- The stones crumbled and fell apart inside the heater;
- The heater was left on for an extended period without use;
- The temperature sensor is installed in an incorrect location or is malfunctioning;
- The heater has been subjected to a strong impact or shaking.



**Resetting overheating protection can only be performed by individuals with permission to operate electrical equipment.**

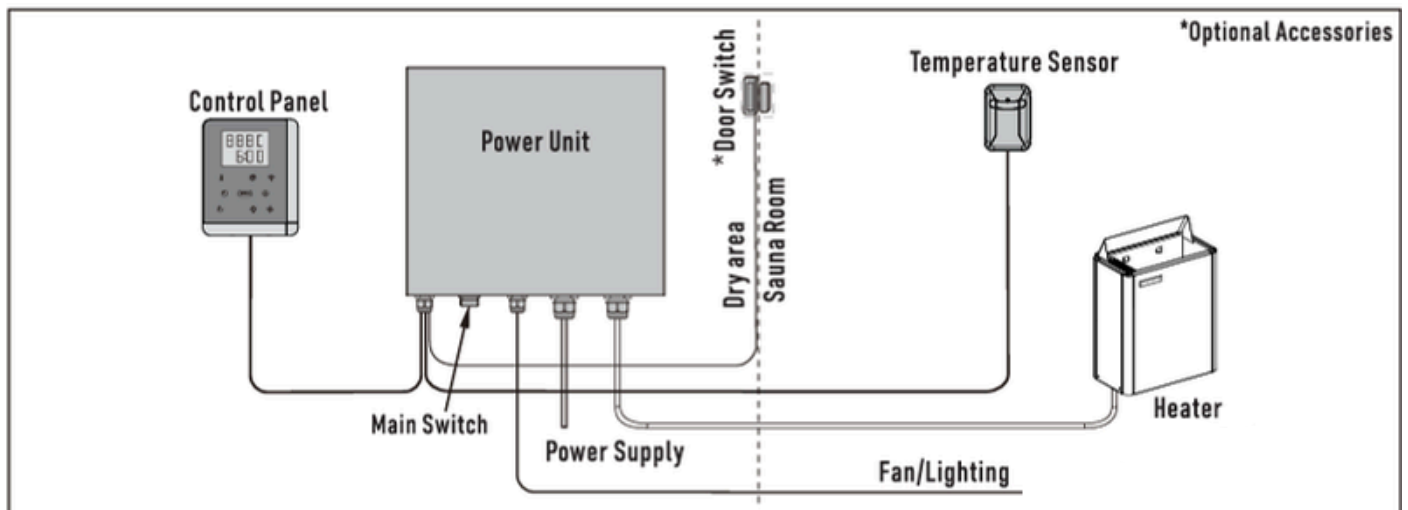
Reset the built-in heater overheat protection with external control, see Figure:



## 5 VAPA CL40WL-R INTERFACE SETUP

### OVERVIEW

- The control system consists of a control panel, power unit, sensors, expansion unit (optional), and door switch (optional).
- The power unit adjusts the temperature of the sauna room based on the information provided by the sensors.
- The temperature sensor and overheat protector are located inside the sensor box. The temperature is sensed by an NTC thermistor and has a resettable overheat protector.
- The door switch (optional) is installed on the door of the sauna. When the door is opened, the sauna cannot be remotely turned on or the heating of the sauna cannot be stopped.



## Technical Data

<b>Control Panel</b>	
Temperature regulation range	104–230 °F (40–110 °C).
Range of startup time adjustment	10-360min
Installation surface temperature range	-10 °C →+70°C
Dimensions	103 mm x 125 mm x 27 mm
<b>Power Unit</b>	
Power Supply Voltage	230V N- 400VAC 3N-
Max Load	Each phase 30A、 50A
Lighting	max.100 W, 230 VAC 1 Ph
Fan	max.100 W, 230 VAC 1 Ph
Installation surface temperature range	-10 °C →+40°C
Dimensions	340 mm x 300 mm x 130 mm
<b>Sensor</b>	
Temperature sensor NTC thermistor	22 k $\Omega$ /T=77 °F (25 °C)
Dimensions	50mm x 72 mm x 28 mm
Resettable overheat protector	150°C

## INSTALLATION

The electrical connection of the control unit can only be carried out by authorized professional electricians in accordance with current regulations.

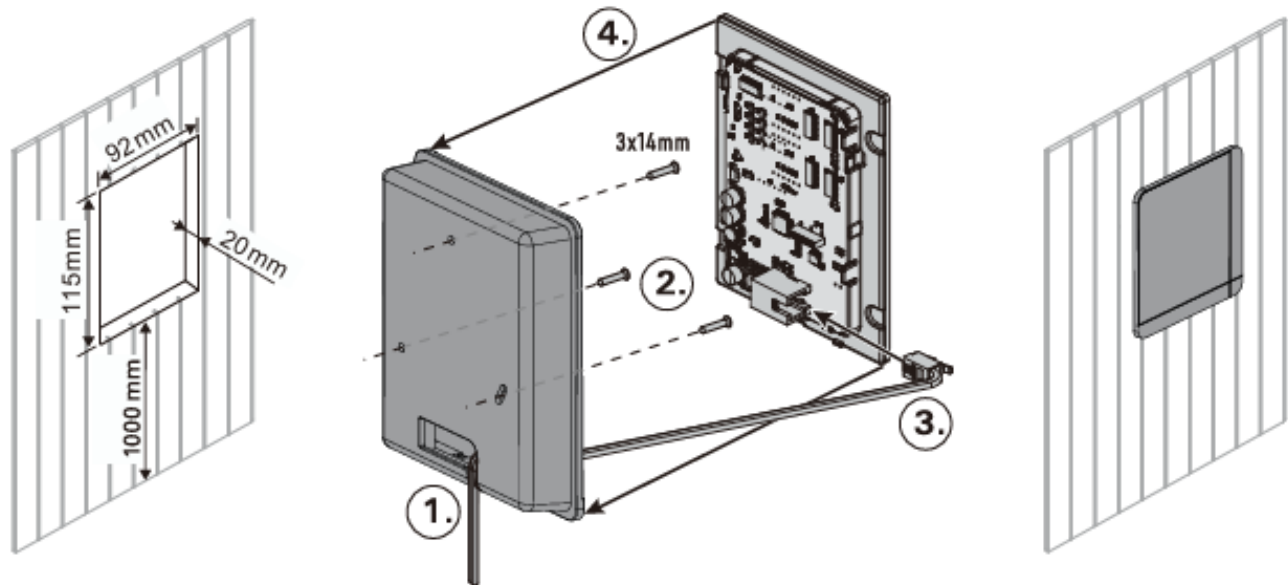
After the installation of the control unit is completed, the installation manager must convey the installation and usage instructions attached to the control unit to the user, and must provide necessary training for the user to use the heater and control unit.

### Install control panel:

The control panel is splash proof and has a low operating voltage. This panel can be installed in laundry rooms or changing rooms, as well as in living areas.

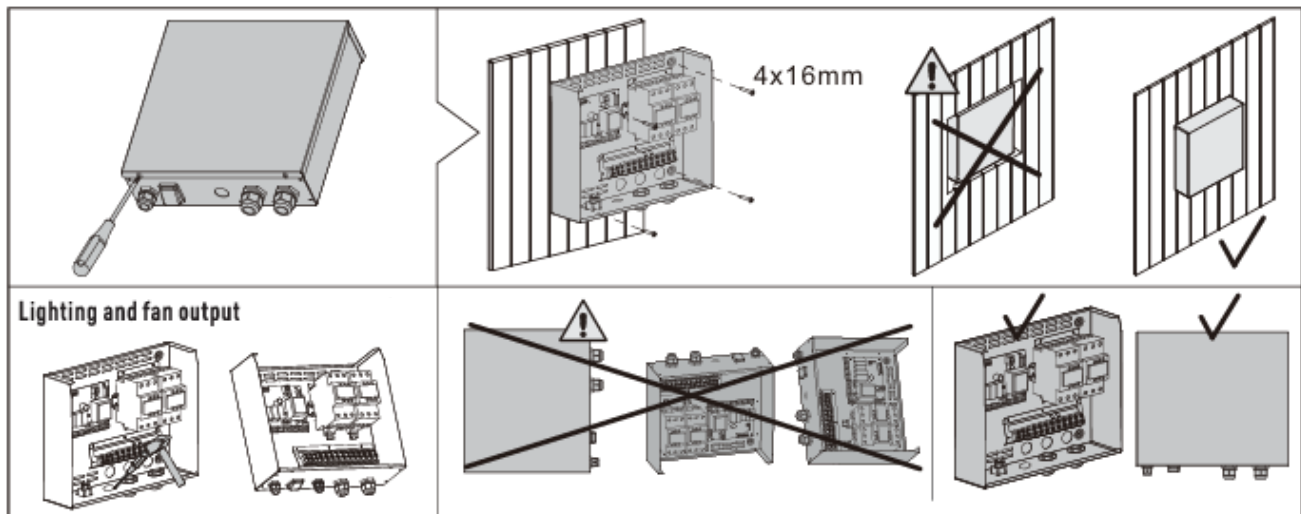
The conduit ( $\varnothing$  1" 3/16, 30 mm) inside the wall structure allows you to insert data cables into the wall, otherwise they must be installed on the wall surface.

1. Thread the data cable through the hole on the back cover.
2. Fix the back cover to the wall with screws.
3. Insert the data cable into the connector.
4. Press the front cover into the back cover.



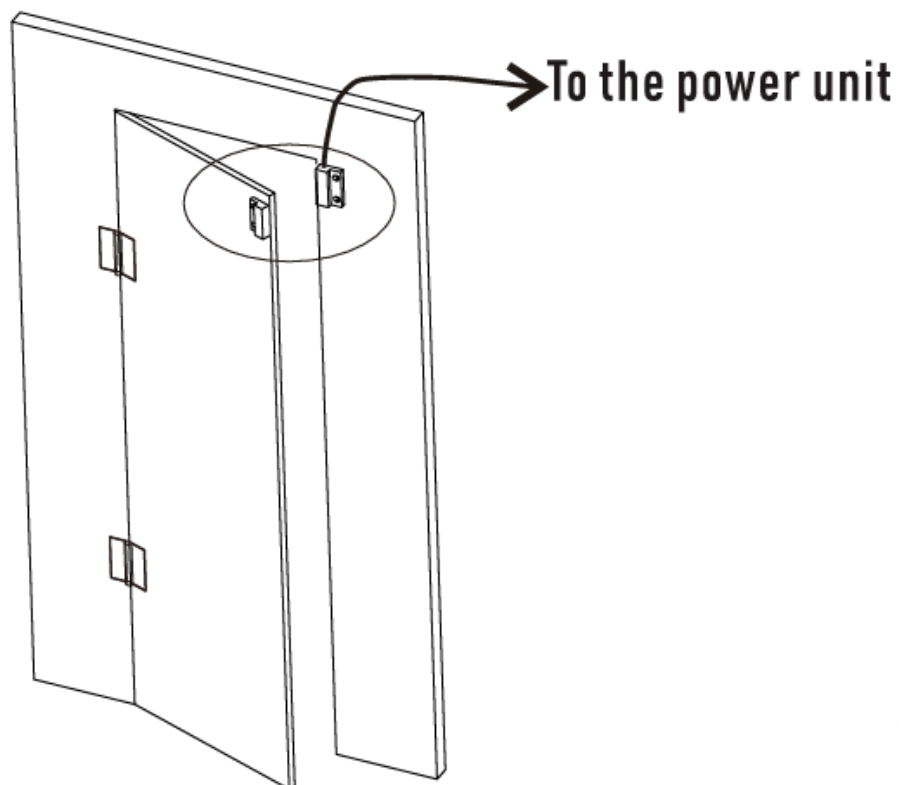
### Install the power unit

Install the power unit in it's dedicated location.



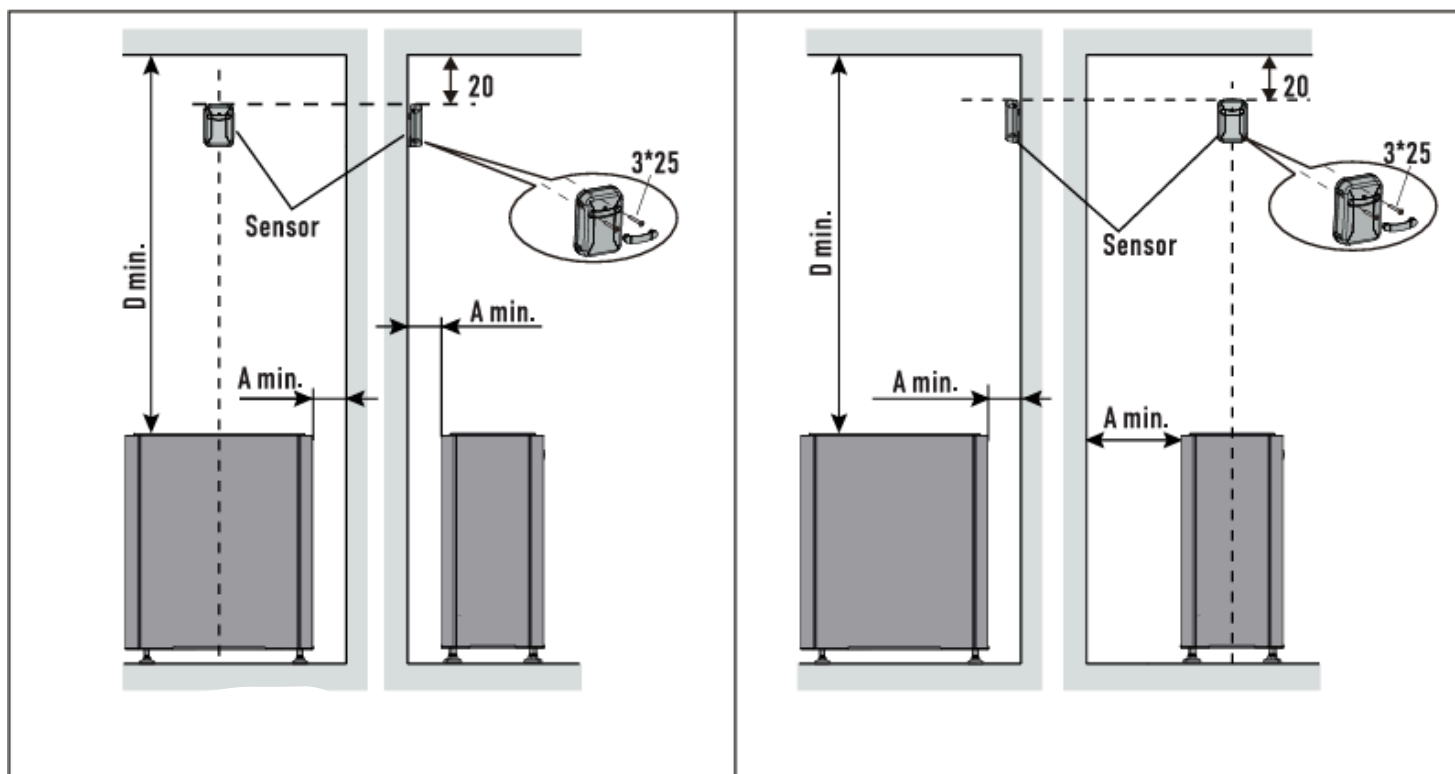
### Install the door switch

This sensor is used to monitor whether the door is closed, It has to be anchored as follows:



### Installing the temperature sensor

The temperature sensor is installed on the wall above the heater, along a vertical centerline parallel to the side of the heater, 20 mm from the ceiling.



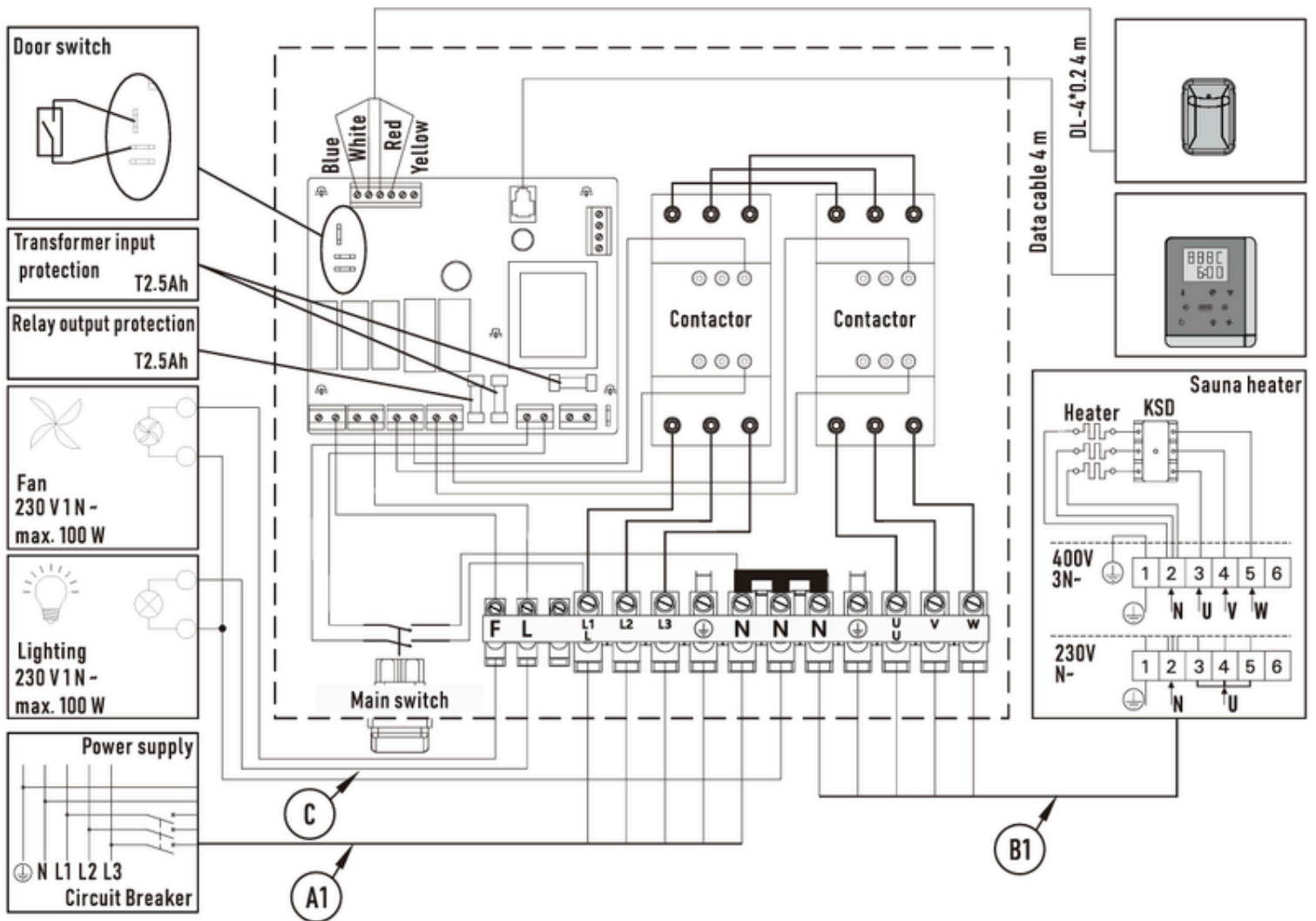
## POWER UNIT CONNECTIONS

**Only recognized professional electricians are allowed to make electrical connections,** connecting the sauna heater to the power unit and signal light wires with the same cross-sectional area as the power supply line.

Due to thermal embrittlement, PVC insulated wires are prohibited from being used as connecting cables for the heater.

The connecting cable must be H07RN-F rubber cable or analogue.

The sauna heater wire should be connected to a fixed junction box, and the grounding conductor size used with the device should be at least 6 AWG.



## **ELECTRICAL SPECS:**

**Voltage:** 240v

**OUTPUT:** 6kW

**CONDUCTOR SPECS FOR A1:** 5x1.5mm<sup>2</sup>

**CONDUCTOR SPECS FOR B1:** 5x1.5mm<sup>2</sup>

**CONDUCTOR SPECS FOR C:** 1.5mm<sup>2</sup>

## **RESETTING THE OVERHEAT PROTECTION**

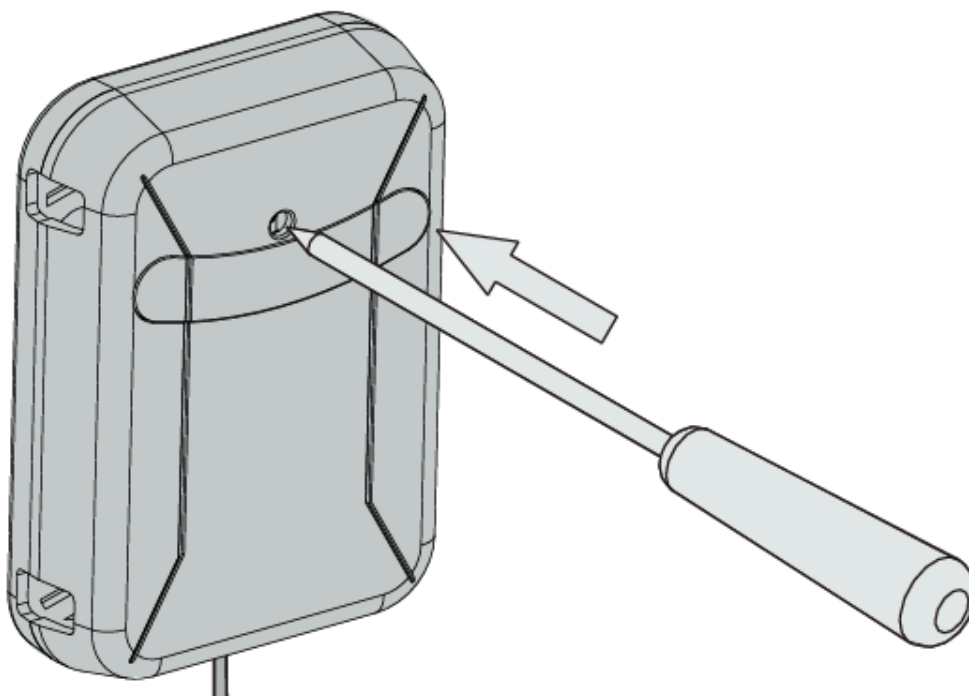
**Only certified professional electricians are allowed to reset the overheat protection.** The sensor box contains a temperature sensor and an overheat protector.

**A NTC thermistor** senses the cabin's internal temperature and can trip the overheat protector to cut off the power supply to the heater in case of a malfunction, and then reset the protector.

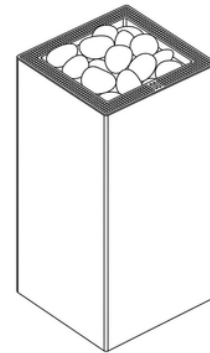


**Before resetting the overheat protector, the cause of overheating must be determined.**

1. **Are the stones broken and squeezed against each other?**
2. **Has the sauna stove been unused for a long time?**
3. **Is the temperature sensor damaged?**
4. **Has the sauna heater been hit or shaken?**



## 6 HUUM CORE 6 HEATER SETUP

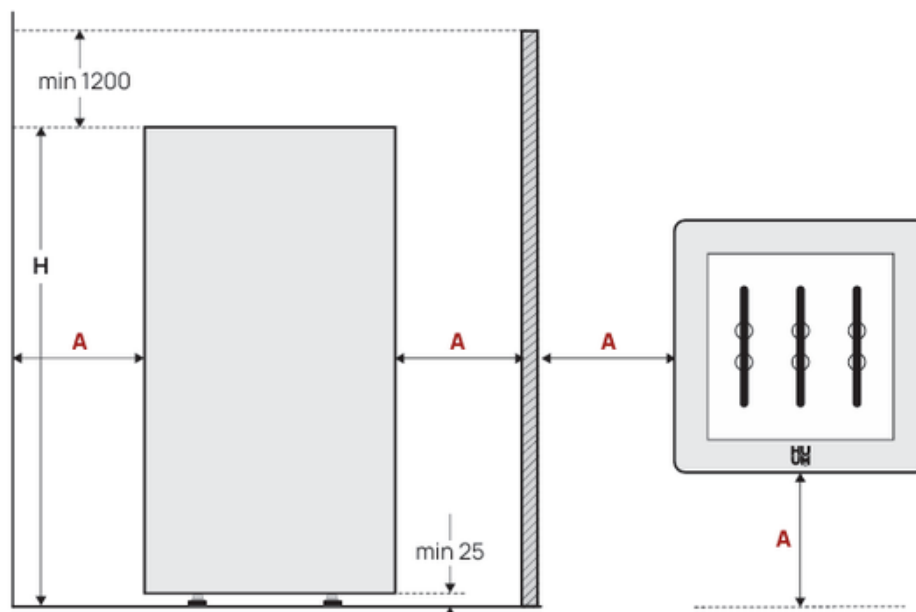


### INSTALLATION

#### Positioning the heater

1. Check the following table for minimum safety clearances between the heater and its surroundings.
2. Place the heater in its dedicated position as shown in the diagram below the table.
3. The power input of the heater is located on the bottom cover of the heater.

Table 1.	Output kW	Room* m <sup>3</sup>	Weight kg	A mm	H mm	Width/depth mm	Fuse A	Power cable N x mm <sup>2</sup>
CORE 6	6	5-9	15	min 40	830	385/385	10	3 x 1,5
CORE 9	9	8-13	15	min 40	830	385/385	16	5 x 2,5
CORE 11	10,5	10-16	15	min 40	830	385/385	16	5 x 2,5



Screw down the legs (4 pcs) included in the package. Adjust the legs of the heater so that all four are equally supported and the heater is level.

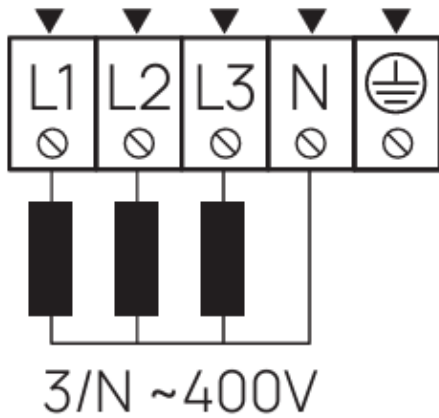
### ELECTRICAL CONNECTIONS

**Only CERTIFIED electricians are allowed to make electrical connections.**

1. A rubber insulated SIHF-JB cable or an equivalent cable should be used as the connection cable.
2. The maximum current amperage in the cross-sectional area of the cable and circuit breaker has been provided in the table above.
3. It is recommended to connect the unit to the mains without an earth-leakage circuit breaker (RCD).



**It is forbidden to use a non-heat-resistant cable with PVC isolation as the power cable. When using the junction box in the sauna room, it should be waterproof and located at a maximum height of 50 cm from the floor.**



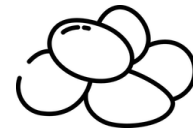
1. Open the cover of the heater's electrical box.
2. Take the cable into the electrical box through the rubber bushing.
3. Attach the power cable on the terminal block according to the circuit diagram.
4. Close the cover.
5. Fix the cable on the bushing with a cable strap.

## Insulation resistance of the electric heater

During the first use of the heater the insulation resistance of the heating element might prove to be temporarily lower than the standard. The reason for that is the moisture seeped into the insulating layer during storage in the warehouse and transportation. The moisture evaporates in 1-2 hours of heating the electric heater.

## LAYING THE HEATER STONES

### Heater stone specs:



1. **HUUM CORE** electric heater needs **30 kg** of heater stones.
2. **HUUM CORE** electric heater requires stones **30-50mm in diameter** to function properly & maximum lifespan of its components.
3. the use of **round stones** which complement the design of the heater and allow the steam water in the heater to move freely to the lower layers of stones is recommended.
4. **Natural stones (e.g. olivine diabase, olivine)**, which are sold specifically for use in sauna heaters, are recommended as heater stones.
5. We recommend **avoiding decorative stones** as they do not accumulate enough heat and break easily. Broken pieces of stone inside the heater **can block air holes and damage heating elements**.
6. Before laying, we recommend washing the stones clean of dust under running water.



**The defects due to the use of unsuitable stones are not covered by warranty.**

### Instructions for laying the heater stones

1. **Use gloves to protect your hands when laying stones.**
2. Lay the stones one by one and don't pour or throw them into the heater.
3. Start with bigger stones, placing them to the bottom and to the sides. Use smaller stones to fix the larger stones in place and to fill in the narrower gaps.
4. Try to lay the stones as tightly as possible, but leave some room for air to circulate in the heater.
5. Lay the stones between the heating elements as well. This will help support the heating elements and prevent them from coming into contact. Take care not to push the stones too hard or bend the heating elements.
6. Stack the outer walls of the stone container as tightly as possible to prevent excessive heat from radiating onto the heater body.
7. On top of the heater the stones should completely cover the heating elements, make sure these will not be visible between the stones. Ladling water directly on the heaters shortens their life and produces unpleasantly pungent steam.
8. Check the condition of the stones once a year to remove broken pieces and replace them, if necessary.



**If the heating elements are not properly surrounded by stones, the safety distances given in Table 1 do not apply, as additional heat radiation to flammable surfaces will occur. Make sure that the heating elements are not visible from between the stones!**



A too sparsely filled stone container can be a fire hazard, make sure the stones are carefully placed up to specification,



1.

Too tightly filled.



2.

Partially filled.



3.

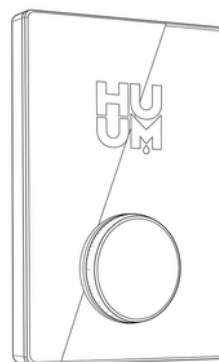
Bent heating elements



4.

Correctly laid stones.

## 7 HUUM UKU MIRROR INTERFACE SETUP

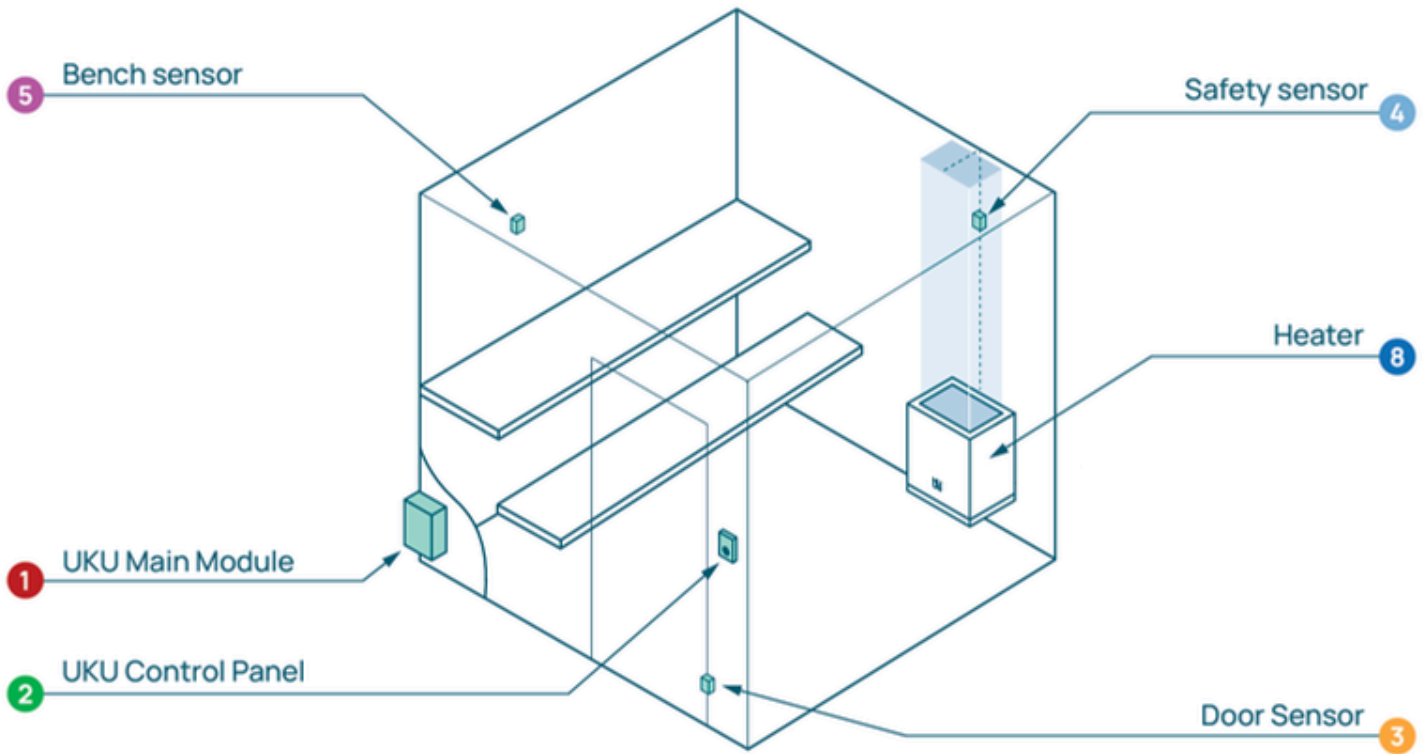


### BEFORE INSTALLATION

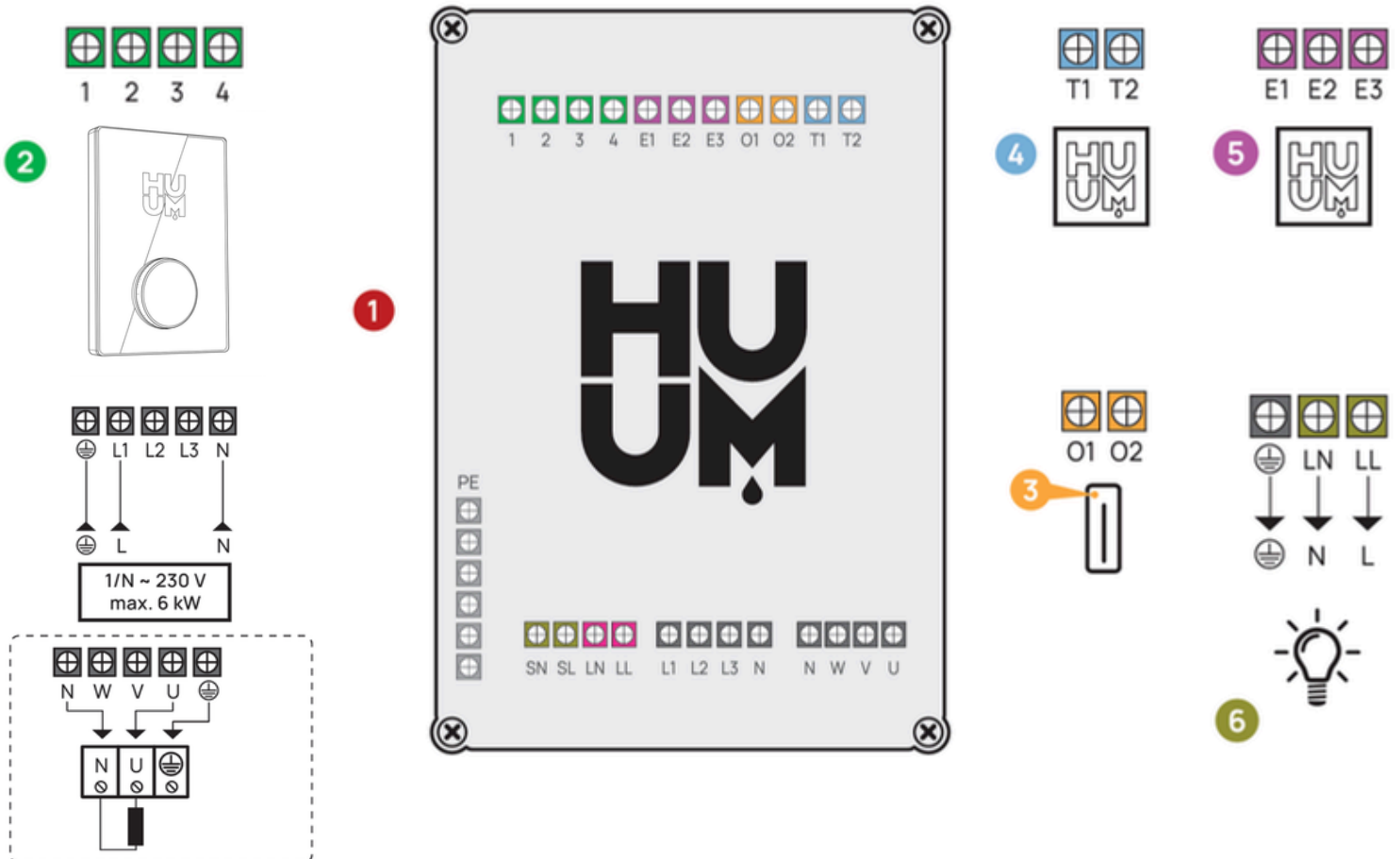
- The device must be installed and serviced in strict accordance with this manual, and all local laws and requirements. You must obtain all required building and similar permits before commencing installation of the sauna equipment.
- All power must be turned off from the circuit when installing or maintaining the device.
- If you encounter problems that are not covered in this manual, contact the distributor that issued the device for assistance.
- It is not permitted to alter or rebuild the control device.
- The manufacturer has the right to make software updates to the device. You can find the latest version of the operation manual on our website ([huum.eu](http://huum.eu)).
- Make sure supply conductors are properly sized as per tables. New wiring is recommended. Install it on a dedicated circuit.
- It is recommended to connect the control system to the mains without residual current circuit breaker.
- The control system allows the sauna temperature to be set between 40°C and 110°C.

### Control system parts and parameters required for installation

The parts of the control system and sauna details are marked with numbers in the text of the manual and in the figure below:



### Control board connection diagram



## 1 - MAIN MODULE

The main module should be installed outside of the sauna room. Weatherproof housing can be added if desired, providing extra protection against water, snow, and condensation, and allowing the module to better blend with the sauna's surroundings. The main module can function in temperatures as low as  $-40^{\circ}\text{C}$ ; however, it is important to note that the display may experience slowdowns at these extreme conditions.

- Before installation, disconnect the power supply.
- If your main module supports WiFi, it should be installed in a place with WiFi coverage. Insulated rooms and boxes such as sauna rooms and metal switchboards are not suitable.
- The main module is to be mounted on a dedicated insulated box at the back of the sauna cabin.
- When mounting the main module, please make sure that you are always able to open the access panel.
- The screw holes for fixing the main module to the wall are located under the fixing screws of the device cover. Do not drill the screws through the enclosure!
- Fix the main module on the wall in an upright position using four screws, ensuring that the cable openings face downwards.
- Connect the cables of the UKU control panel, temperature sensor, and door switch through a cable gland to the enclosure and main module.
- Connect the power cable (230V / 400V) through the cable glands to the main module .



### **WARNINGS**

#### **MAIN MODULE**

- **If the cable glands are not used, the IP class of the device does not apply!**
- **The main module must be permanently connected to the circuit. A circuit breaker must be installed to disconnect all poles from the mains. The heater's power cable should be SiHF-JB or similar. The cross-section of the cable depends on the power of the connected heater. See your heater's manual.**
- **Always have the correct cable size approved and installed by a qualified electrician.**
- **Crimping the power cable ends is mandatory. The compression of the metal sleeve ensures that the wire threads are held in place, minimizing the risk of loose connections that can cause electrical faults or pose safety hazards.**
- **When connecting the main module to one phase, check that the fuse you are connecting to has sufficient amperage. All outputs U, V, W, N, PE should be connected using separate wires.**
- **We recommend leaving enough extra length in the cables to ensure easier installation.**

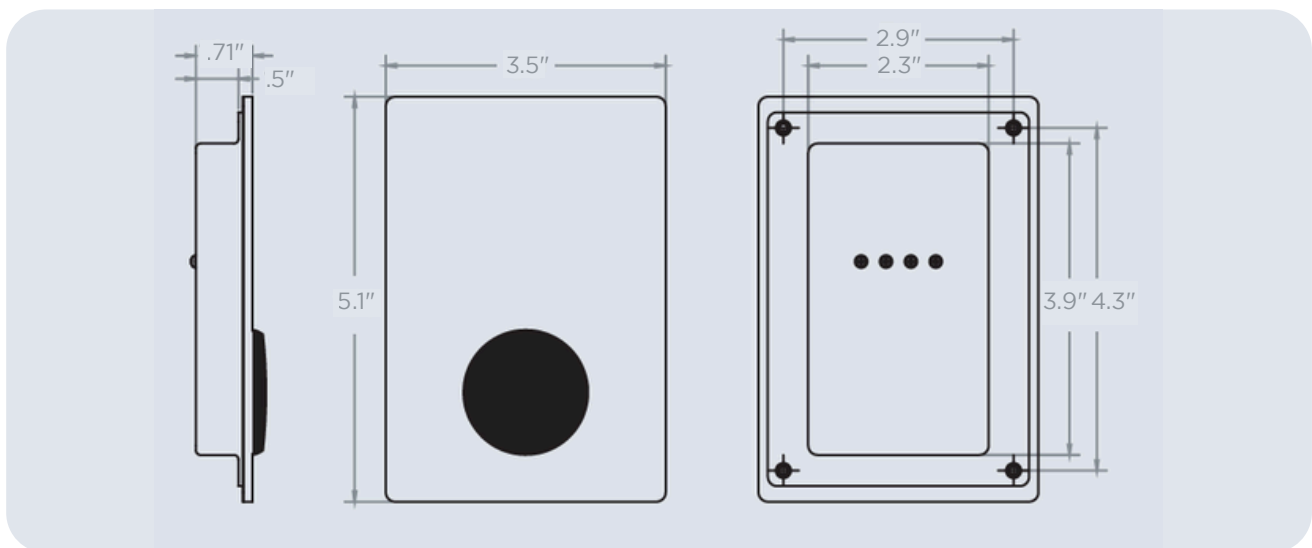
## 2 - CONTROL MODULE

**WARNING!** To avoid over-threading the screw threads, tighten the screws only by hand. Do not use electric screwdrivers.

- The cable connecting the control panel must not exceed 20 meters.
- The cable connecting the control panel must not be routed parallel to the high current cables.
- If the control panel is placed outdoors, it is recommended to protect it with an enclosure to shield it from weather conditions.

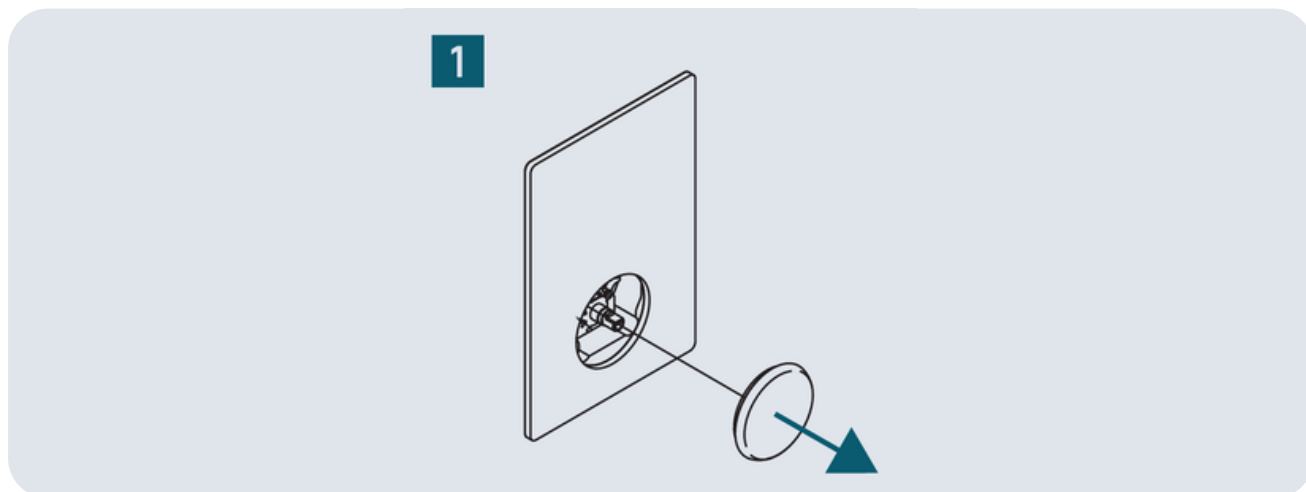
### Control panel with glass case

The control panel with a glass case can be installed inside the sauna room, at the pre-built location shown in the following diagram.

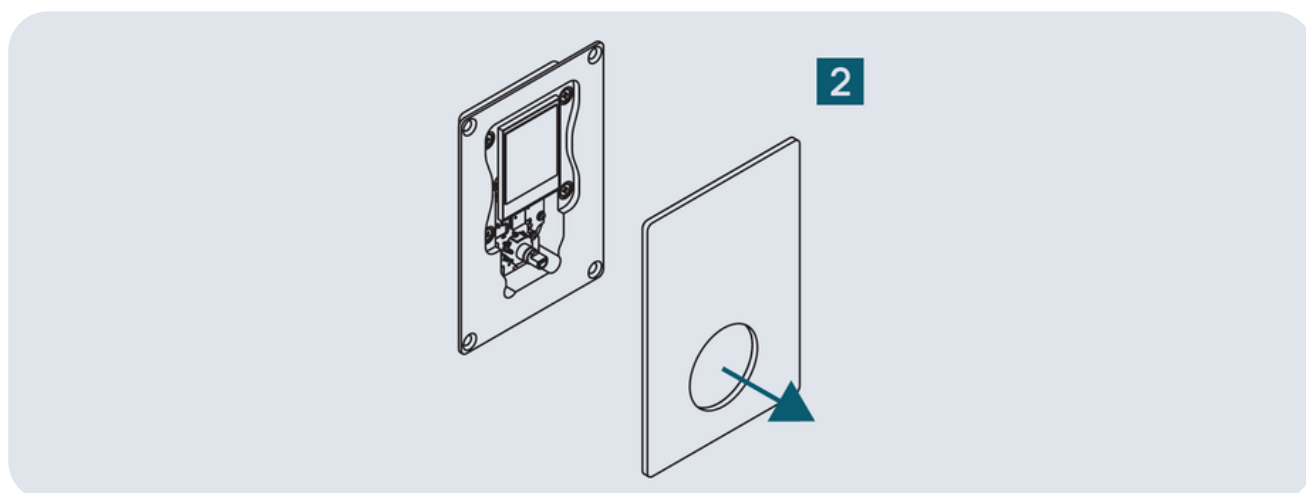


**INSTALLATION STEPS**

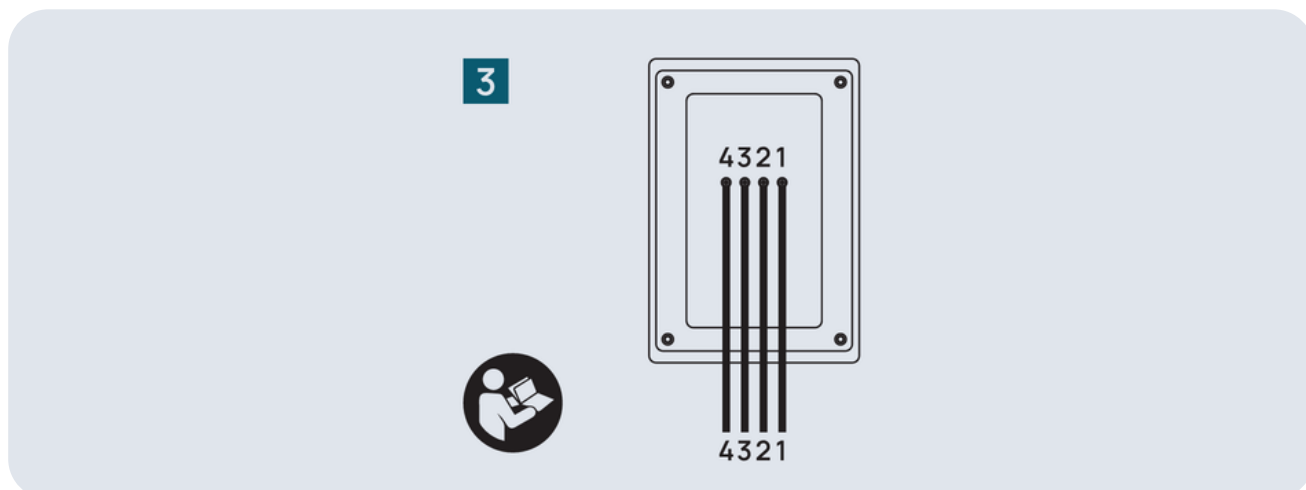
- Remove the control panel button and the protective film of the glass.



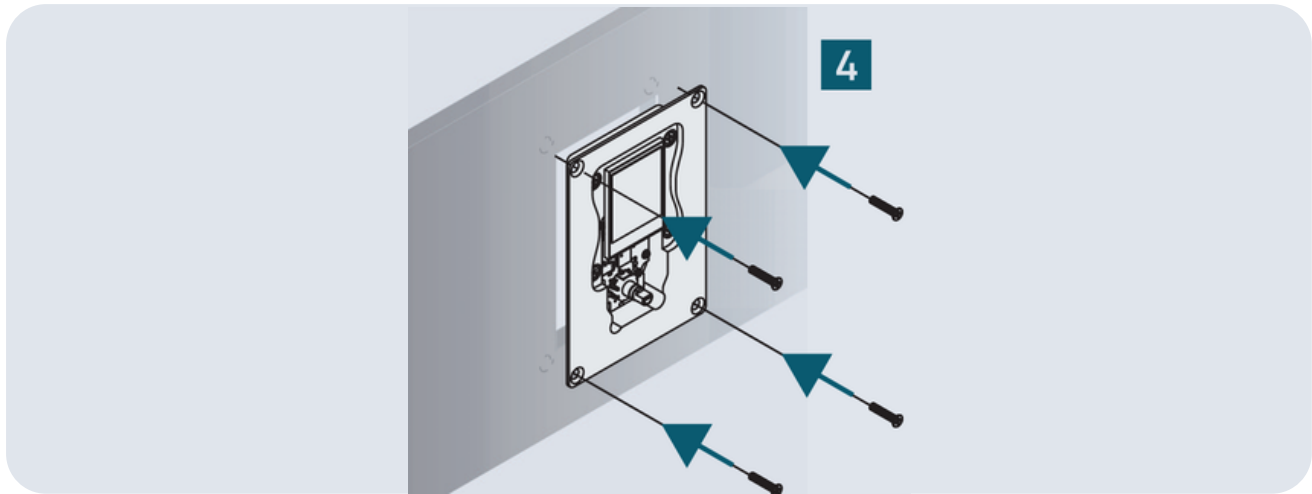
- Remove the glass. The glass is fixed with magnets.



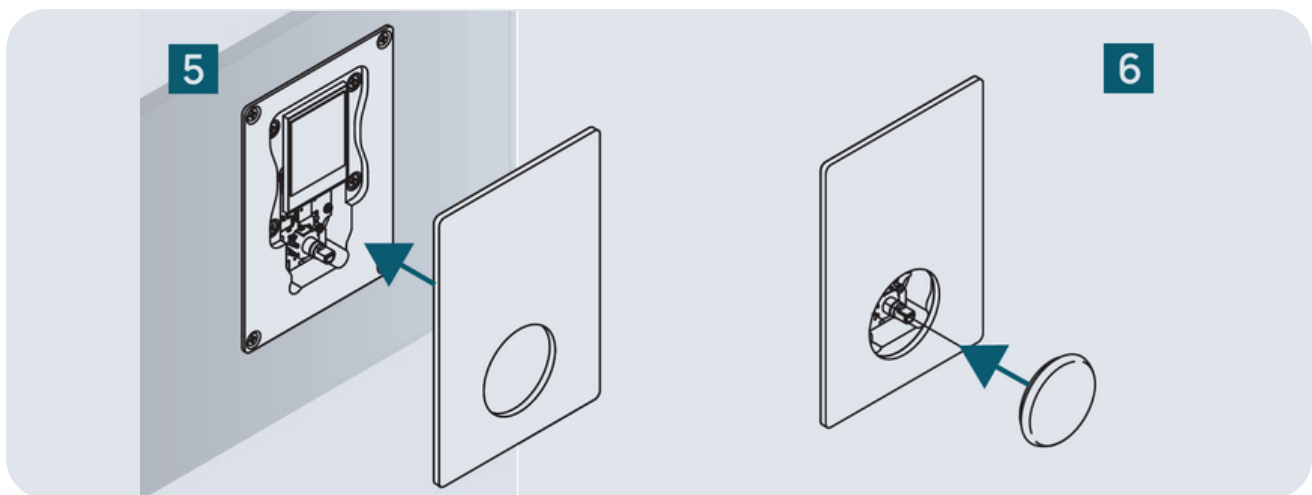
- Connect the wires following the numbering.



- **Attach the control panel to the wall.**









- **Carefully place the glass back on the control panel housing. / Install the button.**



### 3 - DOOR SENSOR

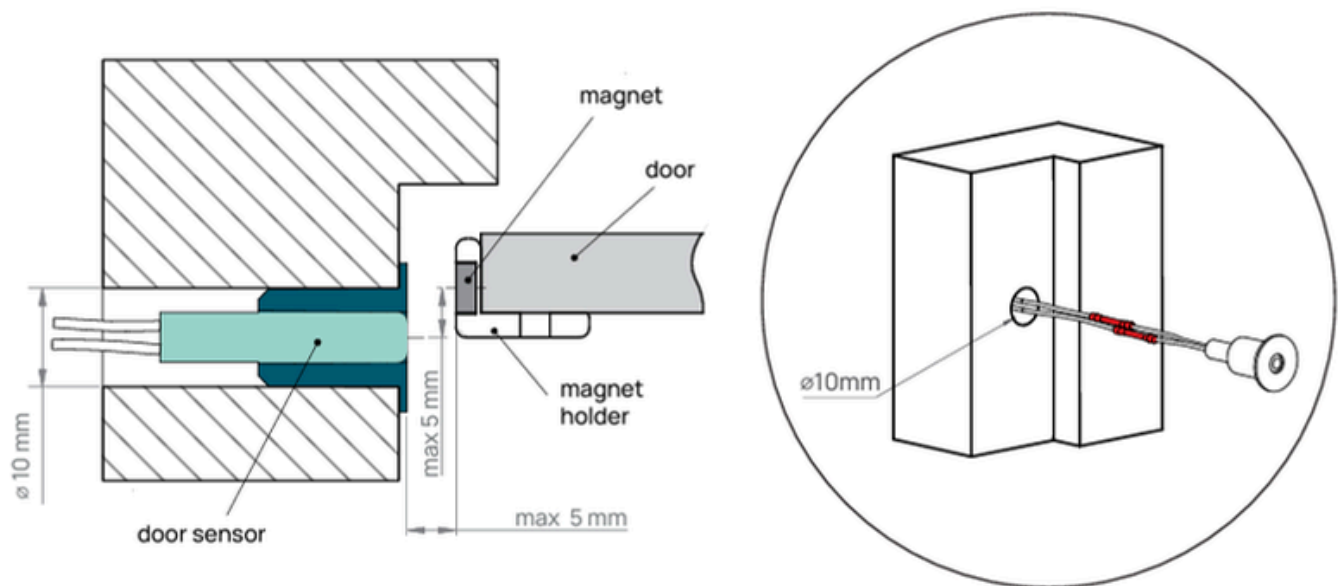
The UKU door sensor is a safety device that monitors whether the sauna door is open or closed. If the door is left open, the controller will prevent the heater from starting, or stop heating if a heating cycle is already active. This helps protect the sauna by preventing overheating of surrounding materials and the heater's heating elements.

#### THE DOOR SENSOR KIT INCLUDES:

Magnet with holder		Door sensor	
Sensor mount		Double-sided tape	
Screw 3 x 20 PZ1		Crimpable heat-shrink wire connection sleeves (x2)	

#### INSTALLATION STEPS

- Make the cable connections. Use the crimpable heat-shrink sleeves included in the kit.
- Insert the sensor using the mount into the hole. If necessary, secure it with silicone or glue.
- Connect the cable to terminals **O1** and **O2** in the main module.
- Attach the magnet with holder to the door leaf using double-sided tape or a screw.



## SAFETY AND BENCH SENSOR INSTALLATION

The safety and bench sensors provide the main module with accurate temperature information from inside the sauna. Using this data, the control system regulates the heater operation and will stop heating if dangerously high temperatures occur, ensuring the protection of the sauna and its components.

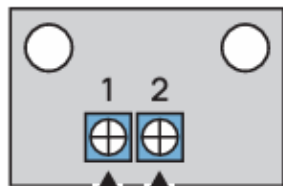
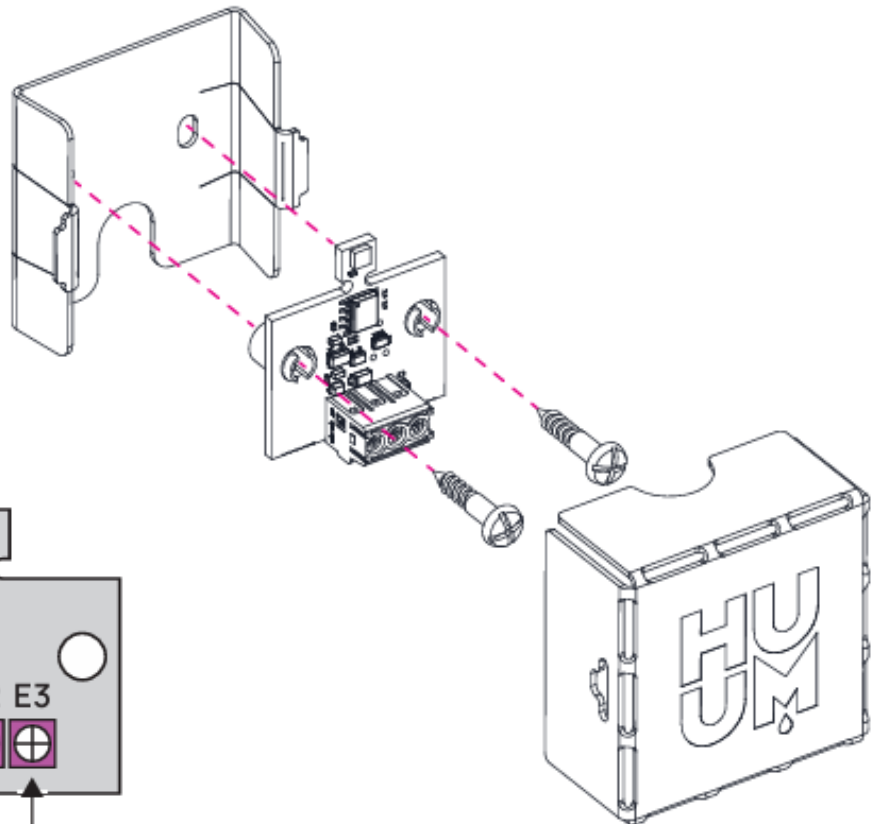
- The sauna can be used by only installing the safety sensor according to the manual.
- To ensure the best possible sauna experience, it is recommended that both safety and bench sensors are installed.
- When installing only the safety sensor, the control panel will display the temperature reading of the safety sensor.
- When installing both sensors, the control panel will display the temperature reading of the bench sensor instead of the safety sensor.
- The maximum set temperature when using only the safety sensor is 110°C.
- The maximum set temperature when using the bench sensor is 90°C due to it being installed away from direct thermal radiation of the heater. This ensures that the highest possible temperature on the sauna bench is achieved without compromising safety inside the sauna.



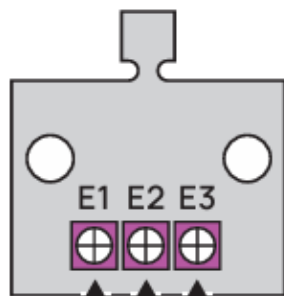
**DO NOT use power tools to install the sensors! Sensors are to be carefully installed using a screwdriver. Using power tools may cause damage to the sensor's components!**

The sensors housing consist of the rear and front case halves. Attach the back side and the sensor to the wall or ceiling with two screws, ensuring it is straight.

Install the front casing as shown **on the right**.



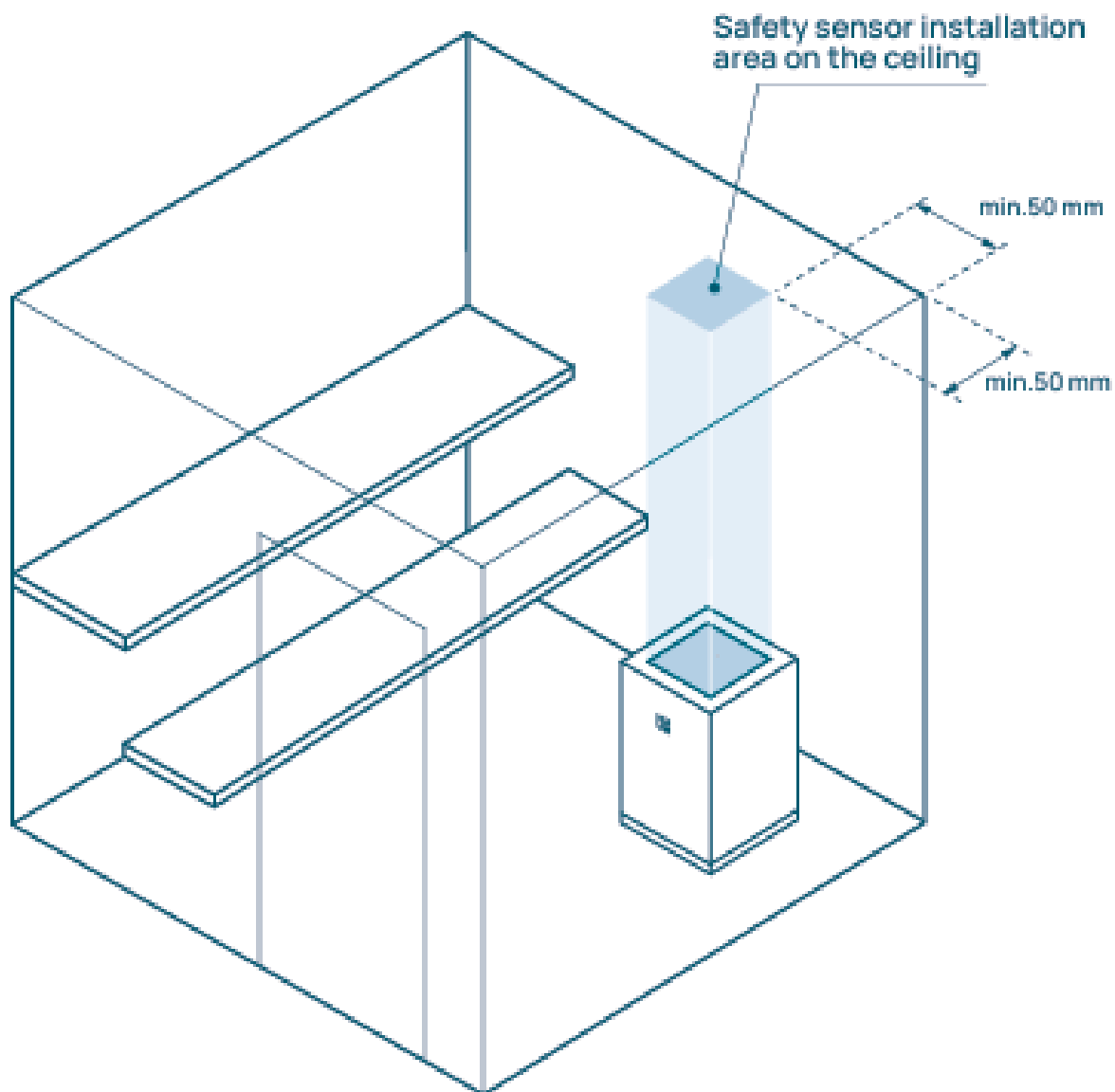
Safety Sensor



Bench Sensor

#### 4 - SAFETY SENSOR WITH OVERHEATING PROTECTION

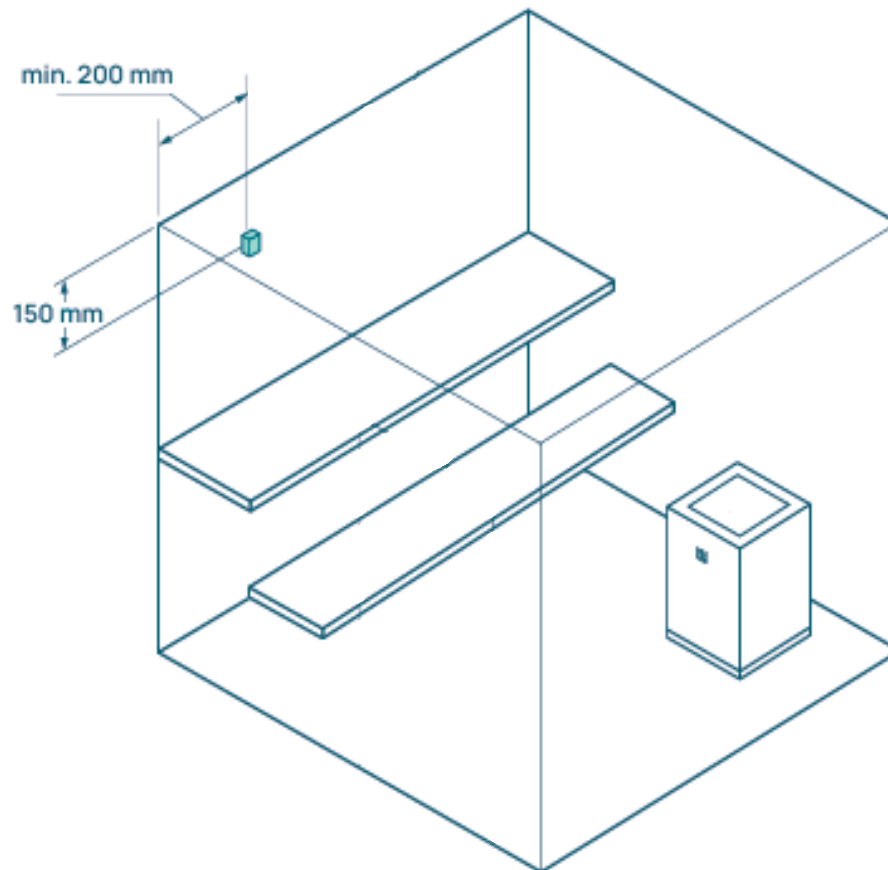
Since the heater is to be installed on the floor, the safety sensor needs to be installed directly above the heater on the roof of the cabin.



- Install the safety sensor 50 mm away from any ceiling corners of the sauna room.
- The safety sensor has two connections. Connect the cable to terminals **T1** and **T2** in the main module and to terminals **1** and **2** inside the safety sensor.

## 5 - BENCH SENSOR WITH TEMPERATURE AND HUMIDITY MEASUREMENT

The bench sensor incorporates a temperature and humidity sensor, allowing for accurate measurement of temperature and humidity levels inside of the sauna room.



- The bench sensor has three connections. Connect the cable to terminals to **E1, E2, and E3** in the main module and the sensor.

## 6 - VENTILATION DEVICE/ LAMP

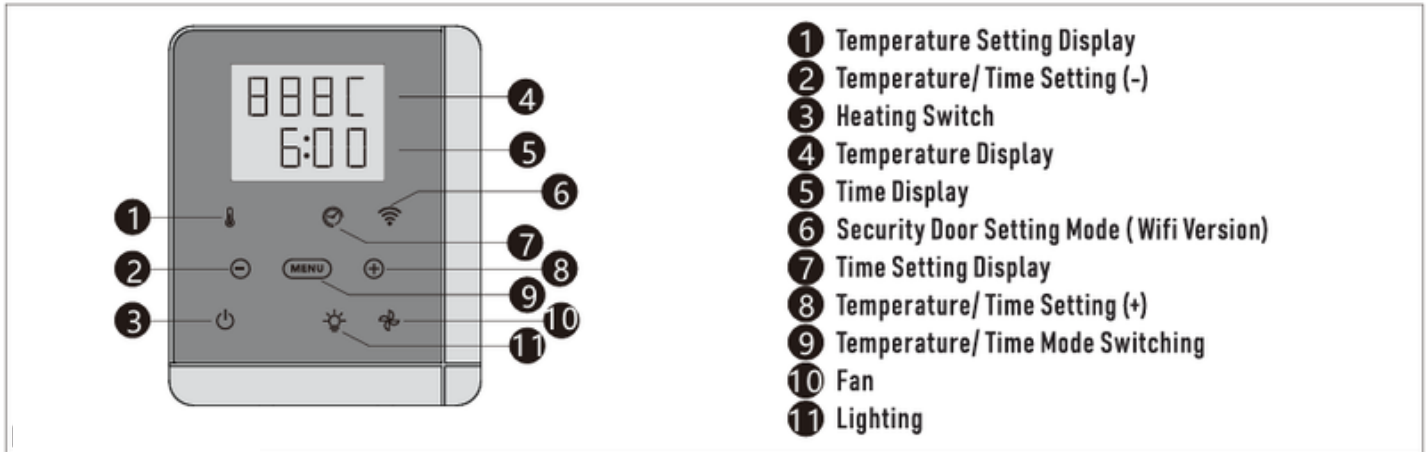
- It is possible to connect a lamp or a ventilation device to the outputs **LL**(phase) **LN** (neutral) of the main module. To connect, see the figure in **page xx**.
- The maximum power of the device is 100W, voltage 230 V.
- After connecting the device, turn on the **"Vent/Lamp"** function in the control panel settings, see the corresponding section on **page xx** in the operation manual.
- If the lamp or ventilation device is connected and the corresponding function is active in the control panel menu, you can turn the connected device on and off using the control panel.

# SAUNA USE

<b>1</b>	VAPA CL40WL-R PANEL OPERATION	38
1.1	GENERAL USE	38
1.2	SAUNA HEATER APP	40
<b>2</b>	HUUM UKU PANEL OPERATION	43
2.1	CONNECTING UKU TO WIFI	43
2.2	GENERAL USE	44
2.3	SETTINGS MENU	45
2.4	GENERAL SAFETY INFORMATION	48

# 1 VAPA CL40WL-R PANEL OPERATION

## 1.1 GENERAL USE



### SYSTEM STARTUP

Turn on the main switch of the power unit, and the button backlight and icon backlight will light up for 1 second for system self-test.

After completing the self-test, it enters standby mode, with the heating switch, lighting, and fan button icons dimmed, and other icons and backlighting turned off.

### LIGHTING

The lighting in the sauna room can be connected to the power unit and controlled from the control panel.

The lighting is independent of the action of the heater and can be turned on even in standby mode. Press the lighting button to turn on/off the lighting. If the lighting is on, the lighting button lights up.

### VENTILATION

If the cabin has built-in ventilators, they can be connected to the power unit and controlled from the control panel.

The operation of the ventilators and heater is independent, and the fan can be turned on/off even in standby mode. Press the fan button to turn on/off the fan. When the ventilation is activated, the fan button lights up.

## CONTROLLING THE HEATER

Press the button on the control panel to activate the heater.

When the heater is turned on, the top line of the display screen will show the set temperature, which **defaults to 110C**, and the bottom line will show the remaining power-on time, which **defaults to 6:00**.

The temperature and time settings display icon flashes, and after 5 seconds, it enters the normal state and power-on state. The top row of the display screen shows the current room temperature, and the bottom row shows the remaining power-on time.

When the room temperature is greater than or equal to the set temperature of 1 degree (ambient temperature > set temperature + 1), turn off all electric heating wires.

When the room temperature is less than or equal to the set temperature of 2 degrees (ambient temperature > set temperature - 2), turn on all electric heating wires.

**Example: Set the temperature to 90 °C and turn on the electric heating wire when the temperature is 88 °C or below. When the temperature reaches 91 °C or above, turn off the electric heating wire.**

## TURNING THE HEATER OFF

- a. When the heating time is completed, the system will automatically shut down.
- b. Press the power key on the touch panel to turn off the system when the device is turned on.

## CONTROLLING THE HEATER

After you turn the heater **ON**, click the button once, and the temperature setting display icon will flash to enter the temperature setting state.

Click the **+/-** button to modify the temperature parameters.

**The temperature setting range is 40-110 °C.**

If there is no interaction for **5 seconds**, the temperature setting parameters will be automatically saved.

## TIME SETTINGS

After you turn the heater **ON**, click the button twice, and the time setting display icon will flash to enter the time setting state.

Click the **+/-** button to modify the time parameters within the time setting range of 10 min-6h.

If there is no interaction for 5 seconds, the temperature setting parameters will be automatically saved.

Long press for 10 seconds to switch between 6h/12h, with a time setting range of 10 min-12h, default to 6 h.

## SECURITY DOOR SETTING MODE (WIFI VERSION ONLY)

Long press the WIFI button on the panel for **10 seconds**.

Enter the security door setting mode, and the panel displays: door.

Select **“ON”** or **“OFF”** through the **+/-** keys on the panel, and press menu to confirm.

When the safety door setting mode is **“ON”**, the sauna heater cannot heat up when the door is open, and it operates normally when the door is closed.

You can see a prompt on the mobile app that the door is open and heating operation cannot be performed.

When the safety door setting mode is **“OFF”**, the opening and closing of the door does not affect the heating of the sauna heater.

## 1.2 SAUNA HEATER APP FUNCTION (WIFI VERSION ONLY)

**Attention:** You need a 2.4G wireless router.

- Search and download the **“Smart Life”** app in the mobile app market or scan the QR code to install it.

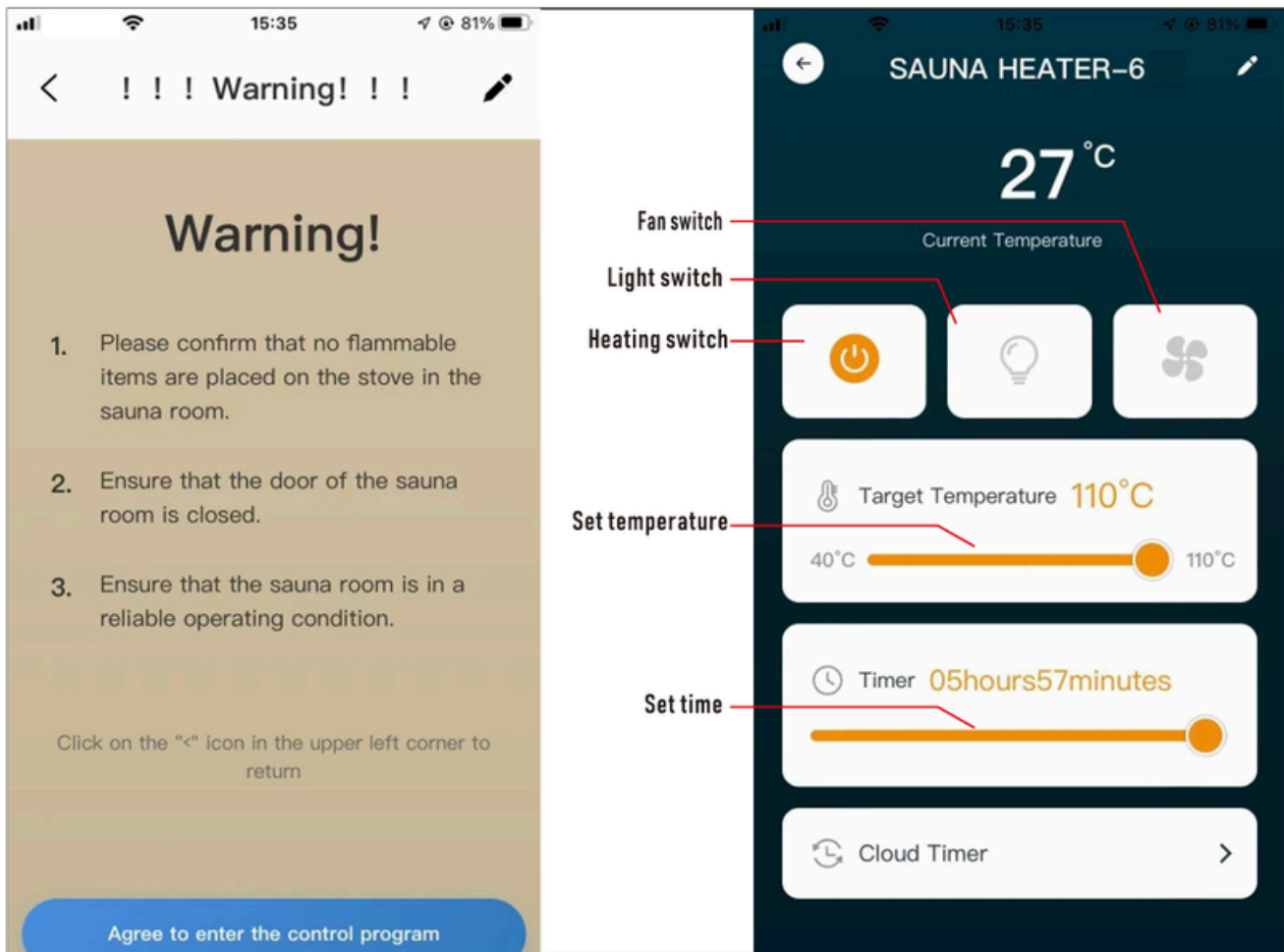


- Enter the mobile system, find the Smart Life APP, click on the **Smart Life APP** icon (🏠) to enter. Choose the appropriate method to log in (**account**). ***If you do not have an account, you need to register an account before logging in.***
- Turn on the controller power, log in to the **Smart Life APP** successfully, enter the APP control panel homepage, click the **(+)** sign in the upper right corner, and enter to add **SAUNA HEATER-6** device. Need to open the phone to allow the app to use **Wi-Fi and Bluetooth permissions**.

***REMINDER: When entering the interface of the Smart Life APP, if the SAUNA HEATER-6 device cannot be found, the distribution network cannot be connected, or an error occurs during use, please press and hold the power button for 8 seconds to reset the device.***

***At this point, hearing a long beep from the buzzer indicates that the device reset was successful.***

- Enter the APP operation interface.



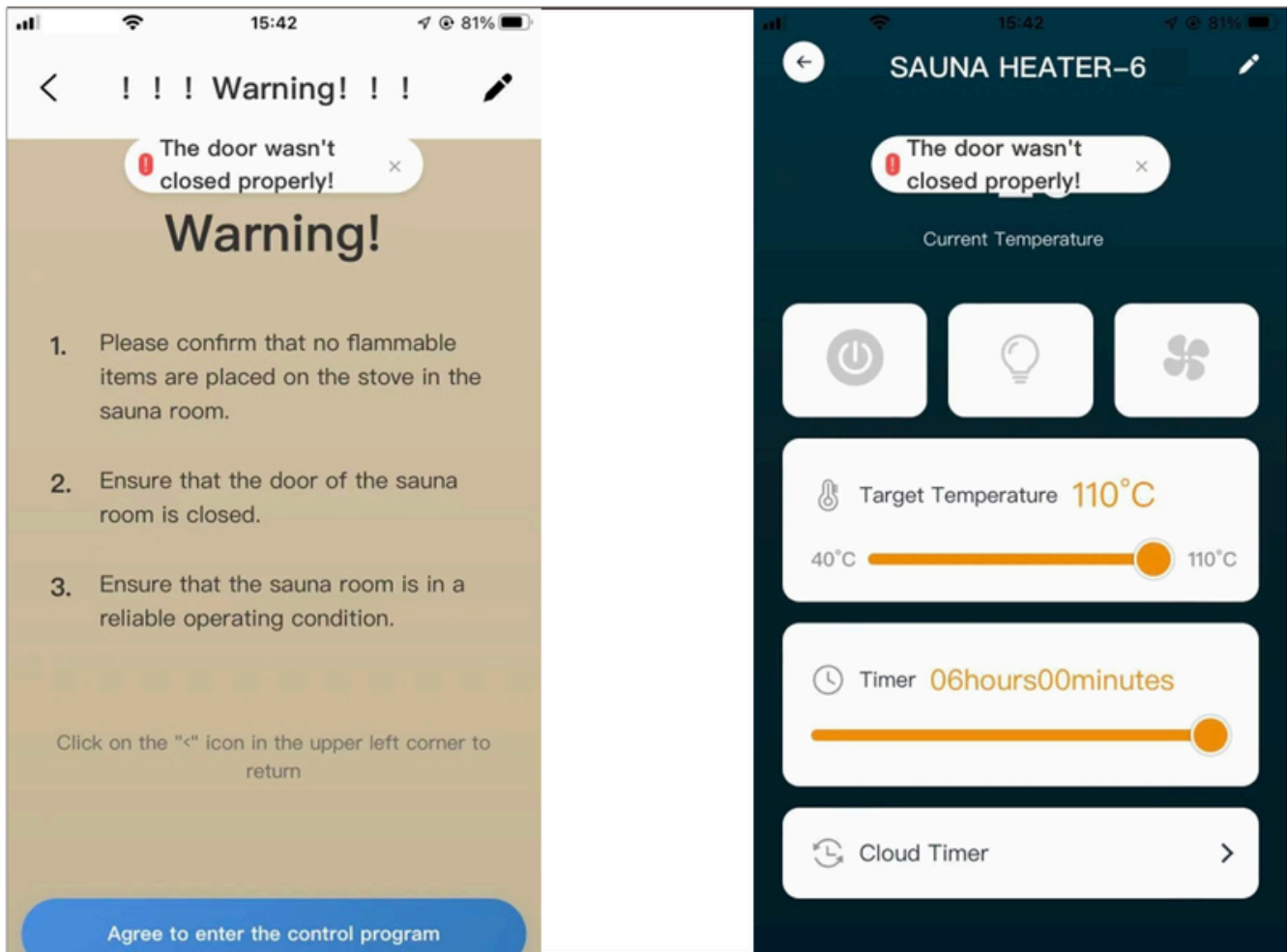
## CLOUD TIMING SETTINGS

- The sauna heater can be set to turn on or off at a scheduled time.

**Note:** The entire system is turned off or on.

- When the safety door setting mode is "ON" and the sauna door is opened, a pop-up window will appear on the mobile app interface, and the phone cannot be operated normally. As shown in the figure below.

## MOBILE OPERATION INTERFACE (DOOR OPEN)



## 2 HUUM UKU PANEL OPERATION

### 2.1 CONNECTING UKU TO WIFI

- The WiFi modem complies with 802.11 b/g/n standard.
- The main module supports only 2.4 GHz WiFi networks.
- UKU should be connected to the unique 2.4GHz WiFi network. If the name of the network matches with that of 5GHz or 6GHz network, it should be changed.

**ATTENTION!** The control system does not support WiFi network names and passwords which are longer than 20 characters.

- To enter the control panel menu settings, hold down the panel button for **9 seconds**.
- Go to **"WiFi settings"** and select **"SSID"** from there. You can confirm the options by clicking on the button.
- In the opened menu, find the **WiFi network** to which you want to connect your sauna control system.
- If you have selected WiFi network, enter the password. The maximum length of the password can be **20 characters**.
- After entering the password, click **connect** and follow the instructions on the screen.
- In the operation manual, information on connecting the sauna to the mobile application has been provided in the chapter **"HUUM mobile application"** on **page xx**.
- If you have problems connecting the control system to the WiFi network, you can find video instructions and the fastest help at: **huum.eu**.

### HUUM MOBILE APPLICATION

If you have chosen UKU control system with WiFi capability, you can also control it using the HUUM mobile application in addition to the control panel. In this way, you can conveniently heat your sauna in the app even when you are away from home.

- Download the **HUUM application** from the application page of your mobile phone's operating system:




- Create a user account in the application.
- Connect the control system ID ( XXXXXX) with your user account. The ID of the control system is also the ID of your sauna, you can find it on the sticker located in the upper right corner of the main module cover. The code is also provided on the cover.
- Check whether the functions of the mobile application (e.g. selection of sauna temperature and heating time, heating on and off) work and reach the sauna. The function should start within **60 seconds** of selecting the command in the menu. In case the functions of the mobile application are not activated, contact us: **support@huum.eu**.
- The number of user accounts linked to one sauna is not limited.

## HOW TO ADD WIFI CAPABILITY TO YOUR UKU LOCAL CONTROL SYSTEM?

If you have purchased UKU Local control system, but want to add WiFi capability to it, you can do so in HUUM mobile application. The upgrade does not require calling a technician, but is activated remotely for an additional fee.

- To do this, download HUUM mobile application, create a user account and link it to your sauna ID (see the previous section "**HUUM mobile application**").
- You can get further instructions from the mobile application.

## 2.2 GENERAL USE

- Before use, make sure that you have made the necessary connections according to your control panel model (see "**CONNECTING UKU TO WiFi** " on **page xx**).
- A short single press of the button turns the control panel on and starts or stops the heating. The display remains active throughout the heating period.
- You can set the maximum possible heating time of the heater in the menu of the control panel on the wall. In case of private saunas the choice of heating time is **3** or **6** hours, in case of semi-public saunas **12 hours** and in case of public saunas **18 hours**. By using the mobile application you can choose the heating time yourself, but its length cannot exceed the settings of the control panel.
- The current sauna temperature is displayed in the middle of the screen.
- The target sauna temperature is indicated by a number in the upper right corner of the screen. Turn the button to select the target temperature.
- Press the button to start heating. During heating the heating symbol is displayed above the temperature on the screen (  ).
- To enter the control panel settings menu, hold down the button for **9 seconds**.
- Select "**Back**" for each function to exit the menu.

## HUMIDITY CONTROL

- When using just the safety sensor, the approximate relative humidity is displayed in the bottom left corner of the control panel.
- When using the bench sensor, measured relative humidity is displayed in the bottom left corner illustrated by a drop icon (💧).
- To change the target humidity, press and hold the button and turn to change the target value.

## TIMING OF HEATING

- UKU control system allows you to schedule the start of heating.
- To activate the timer function, press and hold the button for **6 seconds**.
- When the desired time is selected, a single short press on the button switches the timer on. The function of the timer will not activate unless you press the button!
- The timeline appears on the screen, showing how much time is left until the heater is turned on.

## 2.3 SETTINGS MENU

The following parameters can be set in the menu:

**NB!** The settings menu cannot be accessed when the heating is active.

### WIFI SETTINGS

- Press and hold the button for **9 seconds** to enter the settings menu.
- Go to the **"WiFi settings"** option. The necessary steps for selecting the WiFi network and establishing the connection have been described in the section **"CONNECTING UKU TO WiFi"** on page XX

### LAMP OR VENTILATION SETTINGS

- To control devices connected to the control system from the control panel, this function should be turned on **(On)**.
- Press and hold the button for **9 seconds** to enter the settings menu.
- Find the **"Lamp: On/off"** function in the menu and make the choice that suits you.
- If the function is active, you can turn the relevant device ON or OFF with **two quick button presses** on the control panel.

## DOOR SWITCH

If the function is activated, the device connected to the control system (e.g. ventilation, sauna lamp) turns on automatically for a user-defined time period of 10, 15 or 20 minutes when the sauna door is opened.

- Press the button for **9 seconds** to enter the menu.
- Find the **"Door switch"** function in the menu and choose a suitable period of **10, 15 or 20 minutes**.

**NB! The devices are connected to the outputs LL (phase) LN (neutral) of the main module of UKU control system. The maximum power of the device is 100 W, voltage 230 V.**

## HEATING SETTINGS

### 1. Temperature unit

- The function allows you to choose the measurement unit of the sauna temperature: °C (Celsius) or °F (Fahrenheit).
- Press and hold the button for **9 seconds** to enter the settings menu.
- Go to **"Heating settings"**.
- Find the **"Temperature unit"** function in the menu and select the appropriate unit of measurement.

### 2. Heating time

- Allows you to set the heating time, after which the control system automatically turns off the heater.
- Press and hold the button for **9 seconds** to enter the settings menu.
- Go to **"Heating settings"**.
- Find the **"Heating time"** function in the menu and set the heating time according to your sauna type:

**> Private saunas 3h or 6h**

**> Semi-public saunas 12h**

**> Public saunas 18h.**

- When using the local control panel, the heater follows the heating time specified in the settings, but the user can also stop the heating earlier.
- When changing the heating time to more than **6 hours (max heating time for private saunas)**, the user should confirm that it is a **semi-public sauna (max heating time 12h)** or a **public sauna (max heating time 18h)**.

### 3. Minimum and maximum temp

- Allows limiting the minimum and maximum target temperature.
- To limit the sauna to a single target temperature setting, set both settings to the same desired temperature.

## 4. Heating algorithm

- Allows you to choose the heating algorithm Simple, Smart or Learning.
- Simple algorithm keeps all heating elements working at the same time until the desired target temperature is reached.
- Smart algorithm starts turning off the heating elements one after the other before reaching the target temperature. If the temperature in the sauna drops, one heating element after another is turned on to maintain the temperature. Smart algorithm allows you to save electricity consumption, especially for heaters with a large amount of stones (50+kg).
- Learning algorithm prevents the sauna from going over the target temperature by learning from the sessions and adjusting the heating accordingly.
- Press and hold the button for 9 seconds to enter the settings menu.
- Go to “Heating settings”
- Find the “Heating algorithm” function in the menu and make a suitable choice.

**NB! Smart algorithm is not suitable for use on the heaters with less than three heating circuits.**

## 5. Temperature calibration

Outdoor saunas with poor insulation, located in cold climates, might experience lower temperature readings from the bench sensor due to the colder walls. To compensate for this, you can calibrate the sensor's readout. If your sauna struggles to reach the target temperature, increase the calibration value by one step. The control system will always regulate the heating according to the calibrated temperature!

### **Calibration options:**

- 1. 0% - temperature is not calibrated.**
- 2. 5% - temperature readout is adjusted to 5% higher temperature than measured.**
- 3. 10% - temperature readout is adjusted 10% higher temperature than measured.**

- Press and hold the button for **9 seconds** to enter the settings menu.
- Go to “**Heating settings**”
- Find the “**Temp. calibration**” function in the menu and make a suitable choice.

## 2.4 SAFETY SETTINGS

### 1. Remote start safety

To confirm the safety of your sauna for remote heating activation, follow the steps below:

- Make sure there are no foreign objects placed on the heater and there are no flammable objects located closer to the heater than the minimum specified safety distance.
- Make sure there are no objects in the sauna that may cause a fire hazard when turning on the heater remotely.
- Close the door of your sauna (if you have the control panel installed inside the sauna, follow the steps mentioned below. After confirming, you have 15 seconds to leave the sauna and close the door).
- Press and hold the control panel button for **3 seconds** until the safety confirmation prompt appears.
- By answering yes, remote (from the phone app) launch is enabled. It is indicated by three gray dots (...) on the control panel screen.
- If you do not answer or the answer is no, the system will not allow you to start heating from the mobile phone.
- Once you've confirmed the safety of the sauna, it will be considered safe until someone opens the door again. If the door is opened, before you start the sauna from your app, the remote launch will be deactivated and the above mentioned steps have to be repeated.

**ATTENTION!** In the settings menu it is possible to turn off the remote launch confirmation on the control panel. In this case, you can remote launch (from the phone app) your sauna, without confirming the safety of the sauna on the control panel. If you would like to do this, follow the steps mentioned below. By turning off the test question, the sauna may be started remotely without confirmation that conditions in the sauna are safe. This may result in property damage, and serious or fatal injuries.

- Press and hold the button for **9 seconds** to enter the settings menu.
- Go to "Safety Settings".
- Find the function "**Remote start safety: Enabled/Disabled**".
- Select "**Disabled**".

### 2. Settings password

To avoid unwanted changes, it is possible to protect the settings menu with a password.

- You can turn on the function and set the password in the settings menu.
- Press and hold the button for **9 seconds** to enter the settings menu.
- Go to "**Safety Settings**".
- Find the "**Settings password: on /off**" function in the menu and make a suitable choice.
- Set a password.
- If the function is on, the user will be asked for a password every time when entering the menu. By default, the feature is turned off.

**NB!** Once you have set a password, store it securely. If you forget or lose your password, contact the user support at: [support@huum.eu](mailto:support@huum.eu)

### 3. Child lock

- The child lock function adds security and prevents unauthorized persons from starting the heater without supervision.
- Press and hold the button for 9 seconds to enter the settings menu.
- Go to “Safety Settings”.
- Find the “Child lock: on/off” function in the menu and make the appropriate selection.
- If the function is activated, the child lock is applied automatically when the screen of the control panel turns off.
- To remove the child lock and activate the screen, while holding the button, turn it a quarter turn to the right, then back to the beginning, then a quarter turn to the left and back to the beginning.

### 4. Failure detection

Failure detection is implemented to detect abnormal heating behavior. The control system monitors the temperature rise in the sauna and disables the heating if the temperature rise is not sufficient. Failure detection works if the temperature of the sauna is below 40°C when the heating is started. Insufficient temperature rise may be caused by:

- A door or window has been left open in the sauna room.
- The sauna is poorly insulated.
- The chosen heater is not powerful enough to heat the sauna.
- Safety and/or bench sensor is installed incorrectly.

**ATTENTION! It is not recommended to turn the failure detection off!**

If you would like to disable the failure detection:

- Press and hold the button for **9 seconds** to enter the settings menu.
- Go to **“Safety Settings”**.
- Go to **“Failure det”**
- To confirm turning off the pauses, enter the last 4 digits of the main module’s MAC code. You can find the MAC code by checking the Controller info section in the settings menu (press and hold the button on the control panel for 9 seconds to access the menu) or in the top right corner of the main module.

**Failure detection logic when using only the safety sensor:** if the temperature does not rise by 40°C within 60 minutes of heating, the heater will shut off.

**Failure detection when using the safety and the bench sensor:** if the temperature does not rise by 20°C within 60 minutes of heating, the heater will shut off.

### 5. Overheating pauses – ON/OFF

The sauna control system has a pausing mechanism after every 30 minutes of heating. This addresses situations where the heater’s power is insufficient for the specific sauna room, or the ventilation is done incorrectly, causing the heater to operate at full capacity continuously. By implementing these pauses, the system reduces the risk of overheating surfaces near the heater.

**ATTENTION! It is not recommended to turn the overheating pauses off!**

If you would like to disable the overheating pauses:

- Press the button for 9 seconds to enter the menu.
- Go to **“Safety Settings”**.
- Go to **“Pauses”**
- To confirm turning off the pauses, enter the last 4 digits of the main module’s MAC code. You can find the MAC code by checking the Controller info section in the settings menu (press and hold the button on the control panel for 9 seconds to access the menu) or in the top right corner of the main module.

## CONTROL SYSTEM ERROR MESSAGES

### **E1 — Door open! Close the door!**

The door sensor and the magnet are not aligned. Close the door to clear the error. If closing the door does not clear the message, check that the door sensor magnet is correctly installed and check the sensor cable connections to the UKU main module. If the sensor is positioned correctly, the cable is connected correctly and there are no shorts, contact your reseller to replace the sensor.

### **E2 — Steamer dry! Fill the steamer!**

The steamer has run out of water. Refill the steamer to clear the message. If refilling the steamer does not clear the message, the steamer module must be inspected. Contact your reseller.

### **E3 — Safety sensor error! Check the manual!**

The UKU main module has lost connection to the safety sensor. Please check the cable connections on the sensor and on the main module. If the cable is connected correctly and there are no shorts, contact your reseller to replace the sensor.

### **E4 — Bench sensor error! Check the manual!**

The UKU main module has lost connection to the bench sensor. Please check the cable connections on the bench sensor and on the main module. If the cable is connected correctly and there are no shorts, contact your reseller to replace the sensor. Heating can be resumed using the safety temperature sensor installed above the heater by first pressing the button on the control panel to dismiss the error message and then pressing it again to start the heating.

### **E5 — Sensor installation error! Check the manual!**

The temperature measured on the safety sensor is lower than the temperature on the bench sensor. Please ensure that the safety sensor is installed above the heater and the bench sensor is installed according to the specifications in the manual.

### **E6 — Heating disabled. Insufficient temp. rise! Check the manual!**

Failure detection has been triggered due to insufficient temperature rise in the sauna, indicating that the heat is escaping the room. Please make sure that all the doors and windows are shut, and the ventilation ports for drying the room have been closed. Press the button on the control panel to dismiss the message and restart the heating. If the error persists, contact your reseller.

### **E7 — Main module overheat! Check the manual!**

The temperature of the UKU main module has exceeded 70°C. Check that the main module is placed in an area where temperatures do not exceed normal operation limits stated in the manual. Triggering this error message indicates there might be a serious problem with the main module, the electrical connections or with the environment the main module is located in. Contact your reseller.

### **E8 — Steamer overcurrent! Check the manual!**






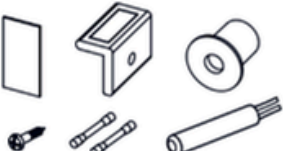
The steamer or the connected auxiliary device is drawing too much power. Please make sure the device does not exceed 2500 W.

## GENERAL SAFETY INFORMATION FOR THE USER

- The safety and door sensor must be installed with the control system!
- To achieve better temperature control and an overall better sauna experience, the included bench sensor must be installed.
- The UKU main module and the safety sensor are designed to protect your sauna from overheating. In addition to the safety features described in the Control panel user manual, there are several hardware-based safety measures that will disable the heating when potentially unsafe conditions are detected.
- The safety sensor incorporates a thermal fuse, that will break when temperature reaches unsafe levels specified by the EN 60335-2-53:2011. When this happens, an E3 error message will be displayed on the control panel.
- Contact your reseller for a replacement unit.
- UKU control system may only be used with a heater which power in one heating circuit does not exceed 6 kW.
- It is forbidden to modify or rebuild the appliance and may cause a fire hazard.
- If you encounter any issues not addressed in this manual, please contact the reseller from whom you obtained the device for assistance.
- The manufacturer has the right to make software updates to the device. You can find the latest version of the operation manual on our website: [huum.eu](http://huum.eu)

## INTENDED USE

- Before heating, always make sure that there are no objects on or in the heater. Non-flammable objects can also cause overheating and fire hazards.
- Make sure there are no flammable objects closer to the heater than the safety distances specified in the heater's manual.
- After ensuring that the sauna room is safe, close the sauna room door. It should remain closed during heating as heating with the door open is ineffective; the heat escapes from the room.
- To use the remote control, ensure in advance that the heater is in working order and there are no objects on it. If "Remote start safety" is enabled (page 23), confirm the safety prompt. Also, ensure that the sauna room door is closed.
- The device is not intended for use by people with limited physical, sensory or mental abilities (including children) or by people with insufficient experience and/or insufficient knowledge, excl. if they are supervised by a person responsible for safety.
- Make sure that children do not play with the device.
- When the sauna will not be used for a longer period of time, turn off the sauna's current protection at the switchboard.
- Old equipment contains recyclable materials. Do not throw old devices in the household waste! Investigate the possibilities of disposal of devices at the waste stations in your area or at the local municipality.

Code	Name	Figure
SP0158	UKU WIFI Spare main module EU	 The figure shows two views of the UKU WIFI Spare main module EU: a grey metal enclosure on the left and the internal printed circuit board (PCB) on the right.
SP0159	UKU LOCAL Spare main module EU	 The figure shows two views of the UKU LOCAL Spare main module EU: a grey metal enclosure on the left and the internal printed circuit board (PCB) on the right.
SP0160	UKU spare safety sensor	 The figure shows two views of the UKU spare safety sensor: a grey metal enclosure with the UKU logo on the left, and a terminal block with two terminals labeled '1' and '2' on the right.
SP0161	UKU spare bench sensor	 The figure shows two views of the UKU spare bench sensor: a grey metal enclosure with the UKU logo on the left, and a terminal block with three terminals labeled 'E1', 'E2', and 'E3' on the right.
SP0162	UKU spare cable 20 m	 The figure shows a roll of black cable, representing the 20m spare cable.
SP0167	UKU 4.2 Door sensor KIT	 The figure shows the components of the UKU 4.2 Door sensor KIT: a white rectangular sensor, a white mounting box, a white circular cap, a black marker, two white screws, and a white adhesive tube.



CASA BLUI

Casa Blui  
Operational Headquarters: Miami, Florida, USA  
Phone (+1) 305 701 4029 [sales@casablui.com](mailto:sales@casablui.com) /  
[www.casablui.com](http://www.casablui.com)