

# Superquarz US

## standalone

86.6"x86.6" h.35.4"

### Technical features

Max water capacity	468 gal
Whirlpool jets	32 jets
Airpool jets	49 jets

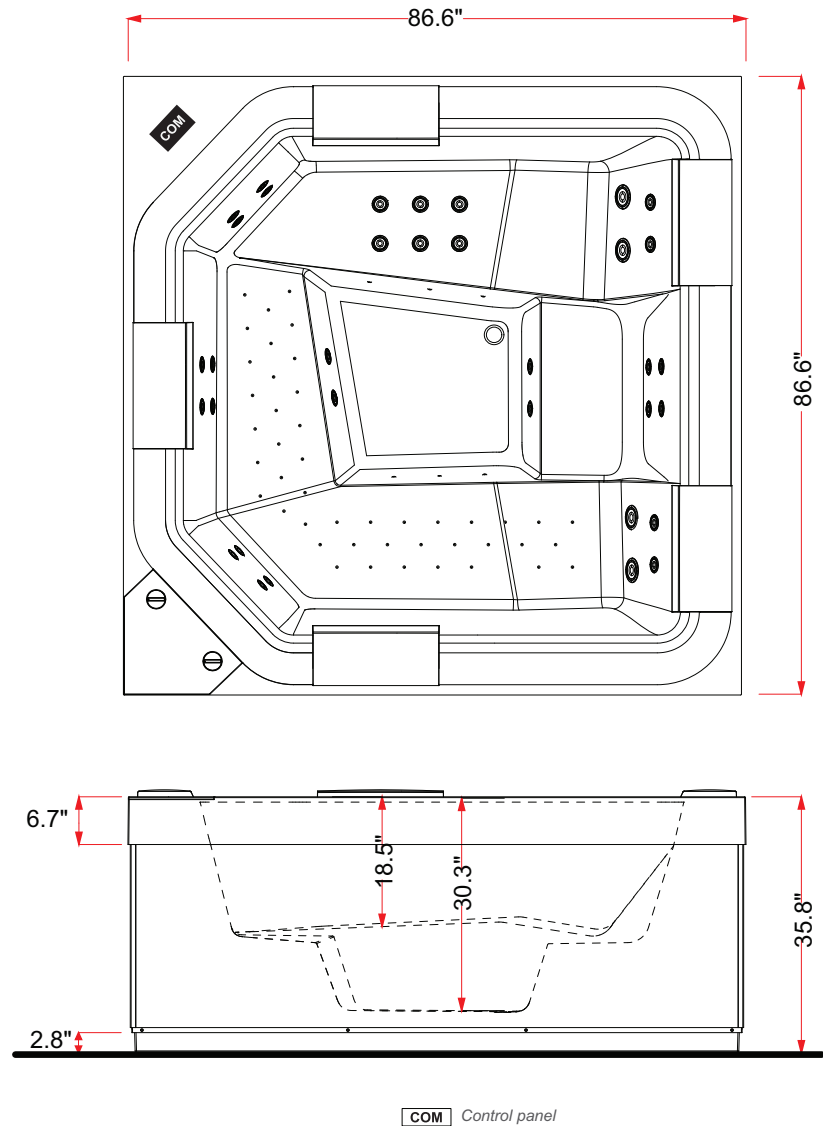
### Dimensional features

Packaging volume	190.7 ft <sup>3</sup>
Dry weight	881.8 lb
Wet weight	4795 lb

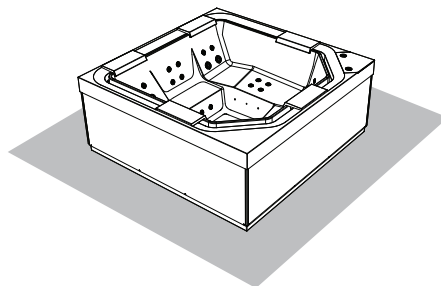
### Electrical features

Voltage	2 x 120 V
Amperage	41.3 A
Frequency	60 Hz
WHIRLPOOL absorbed power	2.76 Kw
AIRPOOL absorbed power	0,8 Kw
Recirculation pump	0,15 Kw
Temperature controller	5.5 Kw

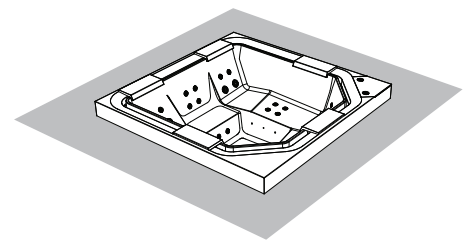
### Technical drawing



### Installations allowed



standalone

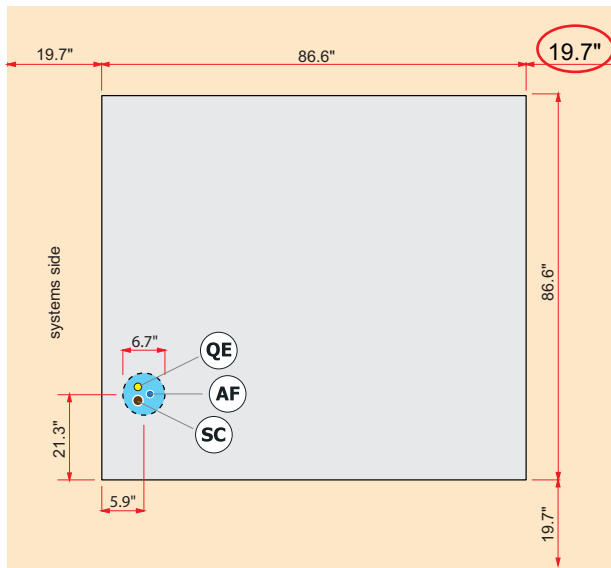


built-in standalone

# Superquarz

86.6"x86.6" h.35.4"

## Preparation of installation



**standalone** - mandatory empty perimeter area

**built-in** - mandatory area for technical room for inspection

The connections must be placed inside the blue area

● **QE** Electrical connection

● **AF** Cold water connection - 1/2" inch

● **SC** Recommended floor drain Ø40mm

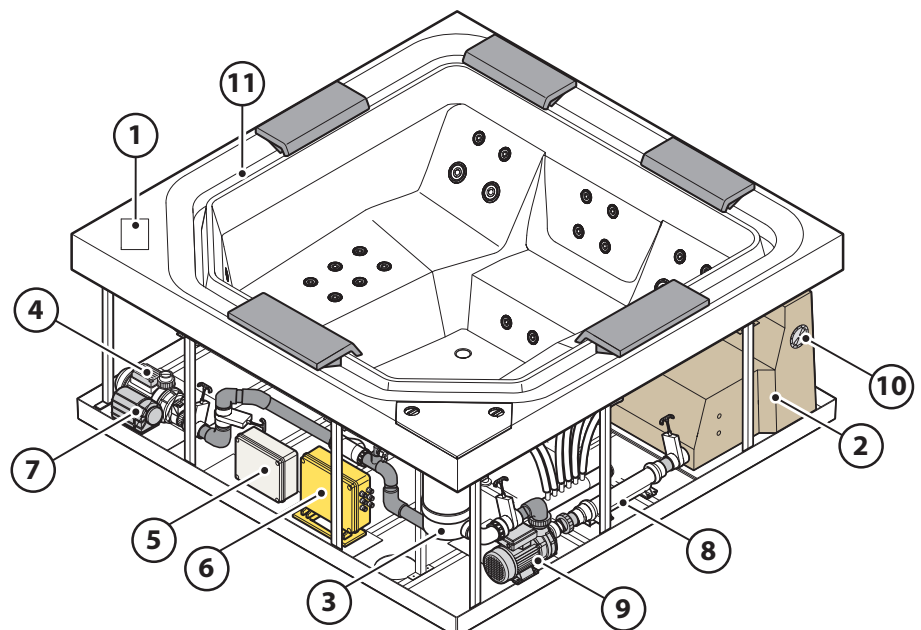
**!** It is recommended to install upstream of the hydraulic system of filter faucets. The company declines problems arising from failure to install them

### NOTE

- The electrical system to which the mini-pool will be connected must comply with CEE standards
- **The minipool should be connected to a mains isolator (magnetohermic switch) with min. 3mm spaced contacts and an RCD (differential switch) of max 30mA**
- It is necessary that the building electrical system is equipped with a bipolar disconnecting device
- The electrical system must be equipped with an efficient ground system
- The minipool must be connected to the building's ground system permanently

## Main components

- 1 Control panel
- 2 Compensation tank
- 3 Paper filter
- 4 Whirlpool pump
- 5 Chromotherapy control unit
- 6 Control units
- 7 blower pump
- 8 Heater
- 9 Circulation pump
- 10 Inspection of compensation tank
- 11 Overflow

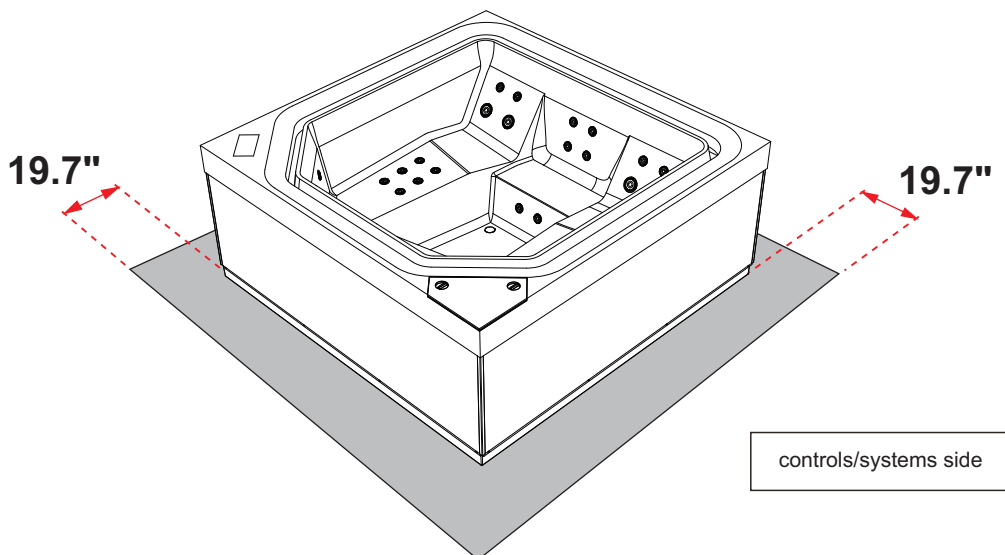


# Superquarz

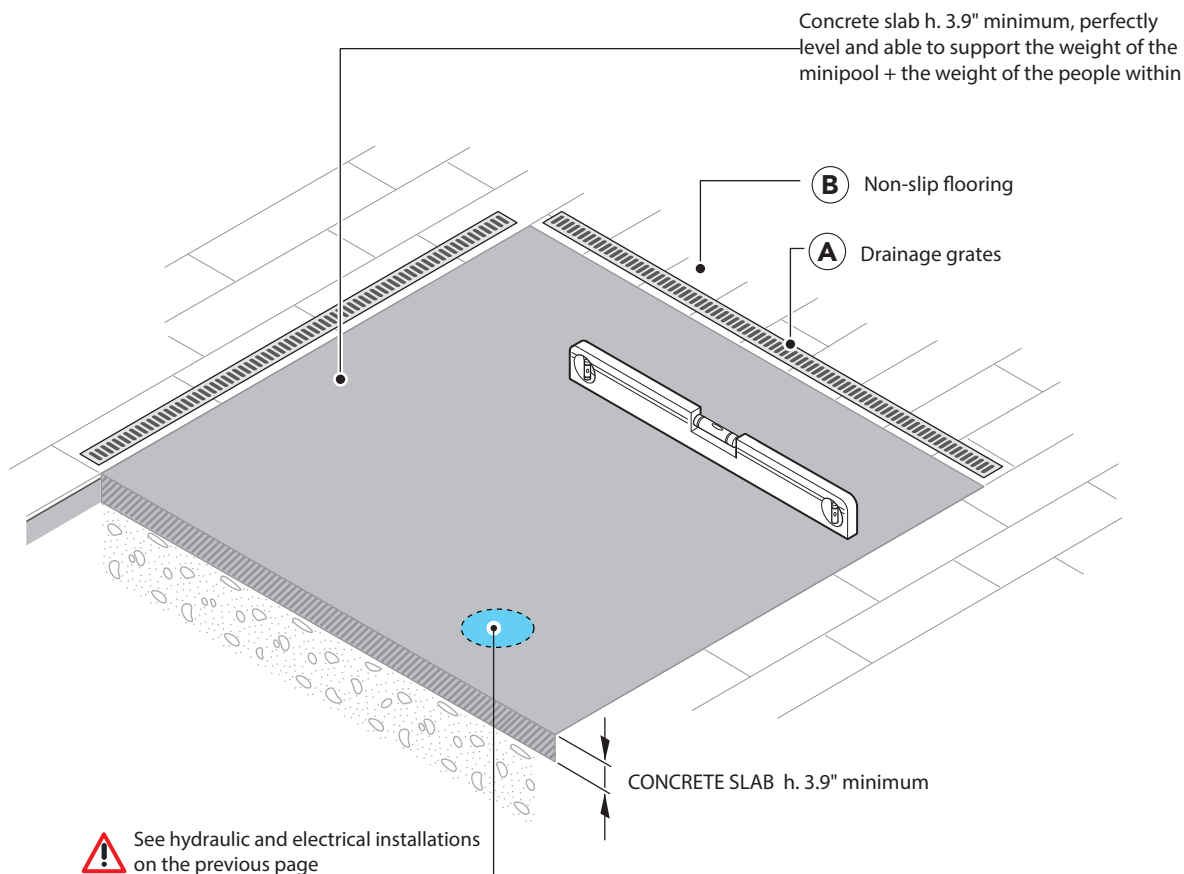
86.6"x86.6" h.35.4"

## Free-standing installation

standalone - mandatory empty perimeter area



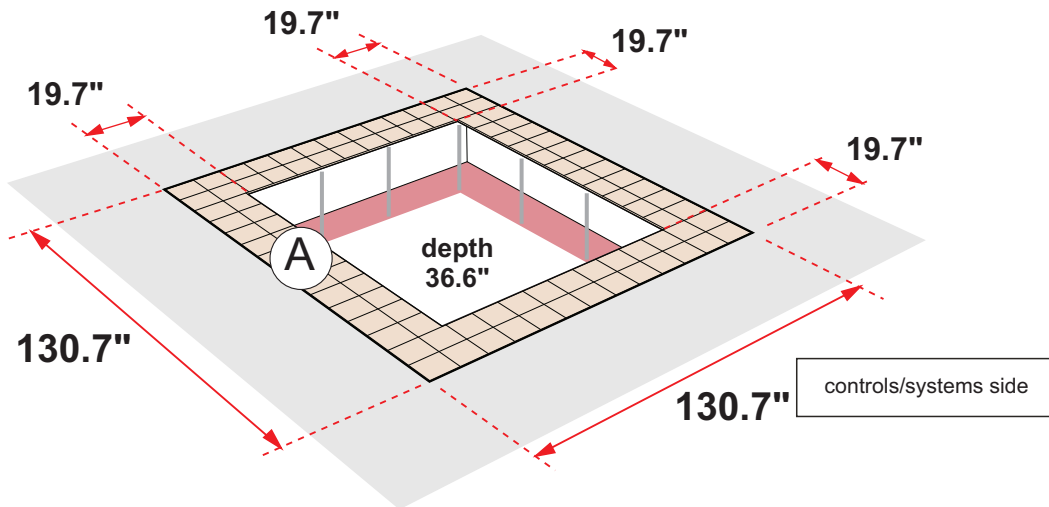
## Preparation of the installation site



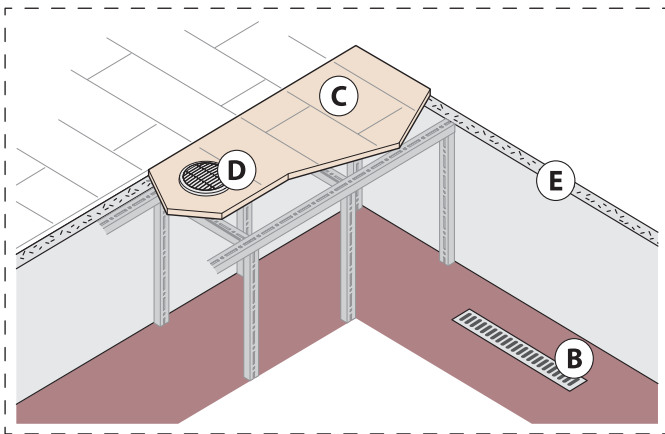
# Superquarz

86.6"x86.6" h.35.4"

Built in installation



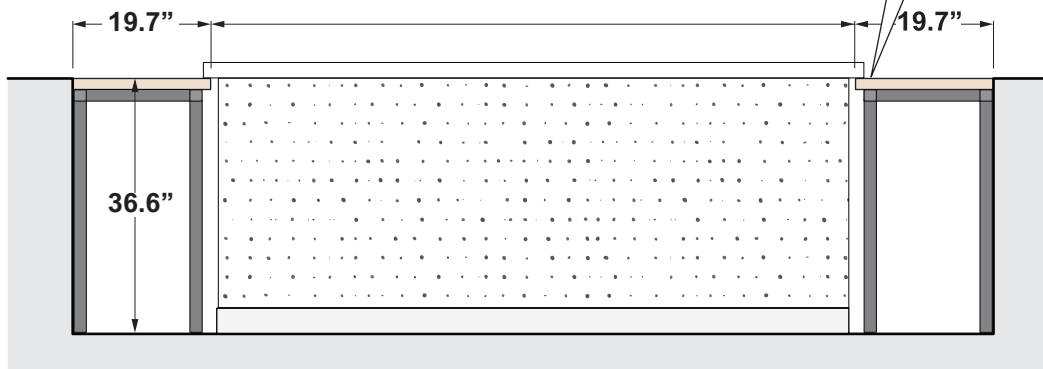
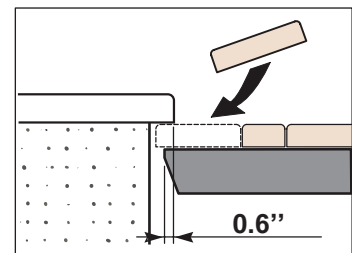
## A INSPECTION COMPARTMENT DETAIL



- A** Perimetric inspection compartment of 19.7" with removable floor
- B** Internal drainage gates
- C** Non-slip flooring
- D** n.2 vents Ø5.9" to ensure proper ventilation of the technical compartment
- E** Insulation to prevent damages from freezing and condensation

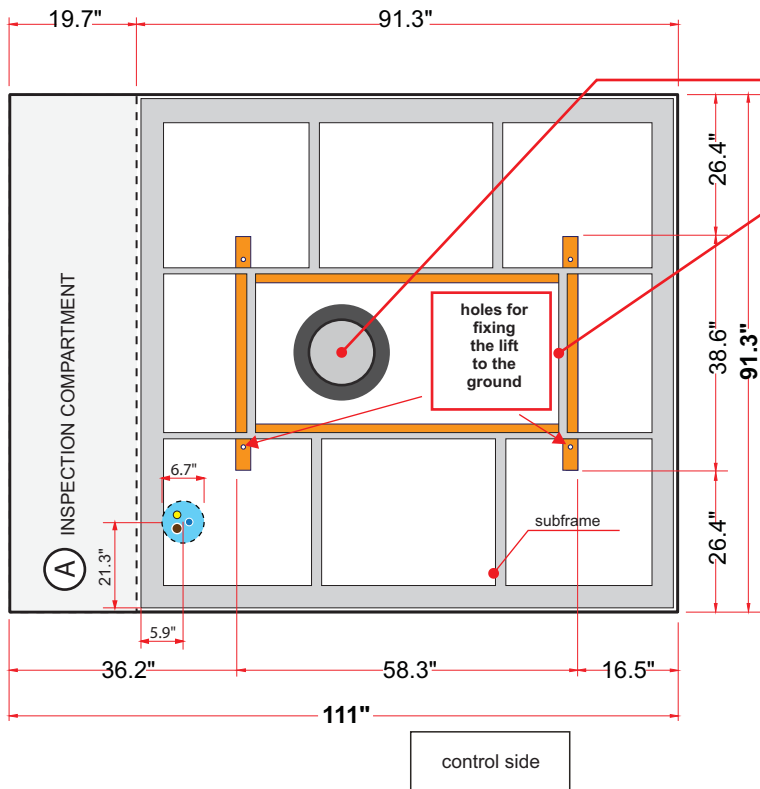
NB: we recommend to let the spa discharge its weight on the base and not on the edges.

We advice to fix the last line of tiles near the edge once the installation is finished, the result will be a good match between the spa and the covering.



# Superquarz

86.6"x86.6" h.35.4"



## ⚠ ATTENTION

FIXE THE LIFTER TO THE GROUND ONLY AFTER YOU MAKE THE EXCURSION TEST WITH THE SUBFRAME, WITHOUT THE MINIPOOL.

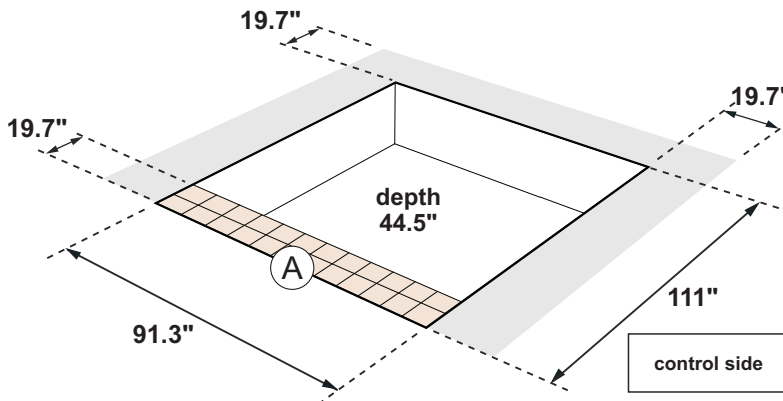
THE AIR CHAMBER OF LIFTER MUST BE ALWAYS ON THE SAME SIDE OF THE CONTROL PANEL OF THE MINIPOOL.

The connections must be placed inside the blue area

- **QE** Electrical connection
- **AF** Cold water connection - 1/2" inch
- **SC** Recommended floor drain Ø40mm

## ⚠ ATTENTION

It is recommended to install upstream of the hydraulic system of filter faucets. The company declines problems arising from failure to install them



⚠ The installation with lifter is in the center of the room, no side can be placed against the wall, a minimum distance of 19.7\"/>

Like built-in installations (see previous pg.) must be installed an internal drainage grates, a non-slip flooring, two vents Ø5.9\"/>

Ⓐ INSPECTION COMPARTMENT with removable floor (systems side only)

⚠ THE SPA MUST DISCHARGE ITS WEIGHT ON THE BASE AND NOT ON THE EDGES.

