

# Shadow US

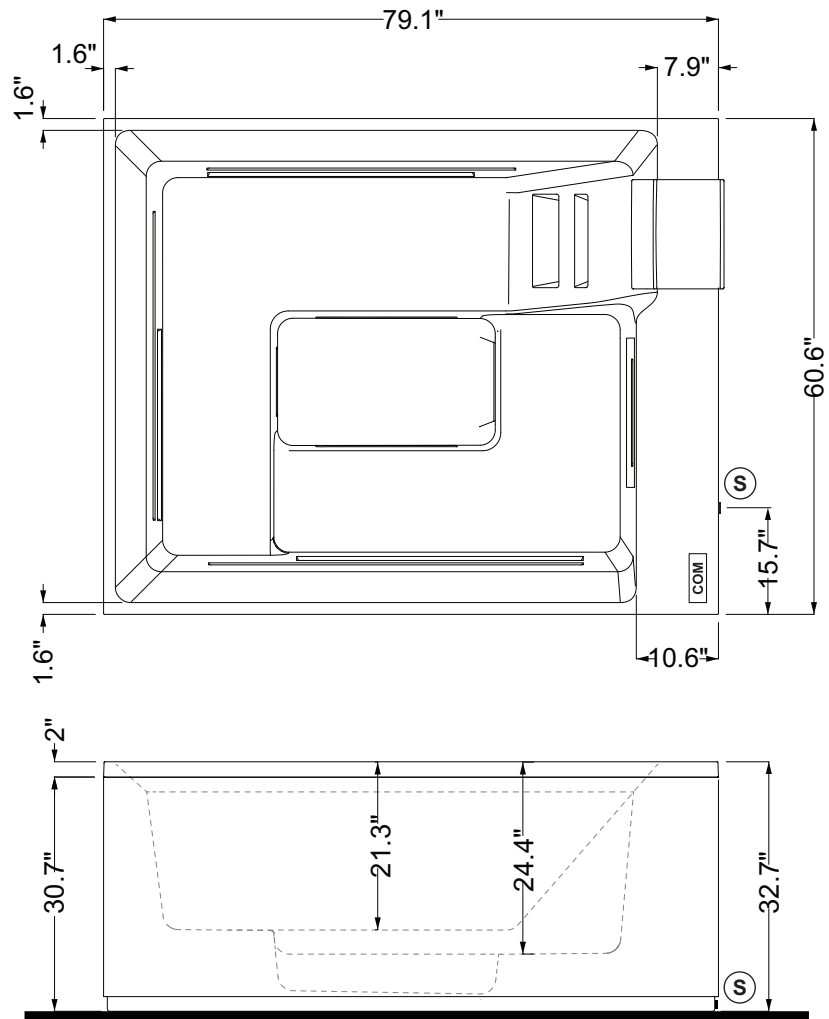
## standalone

79.1"x63.8" h.32.7"

### Technical features

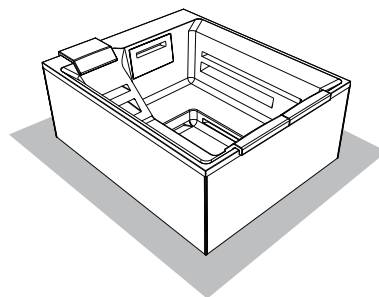
Max water capacity	264 gal.
Whirlpool jets	14 mini jets 12 jets
<b>Dimensional features</b>	
Packaging volume	130.7 <sup>2</sup>
Dry weight	485 lb
Wet weight	2689 lb
<b>Electrical features</b>	
Voltage	2 x 120 V
Amperage	33 A
Frequency	60 Hz
WHIRLPOOL absorbed power	2.0 Kw
CIRCULATION MOTOR absorbed power	0.69 Kw
Temperature controller	5.5 Kw

### Technical drawing

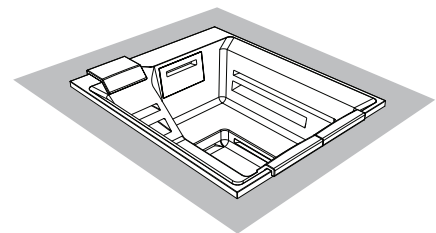


COM Control panel

### Installations allowed



standalone

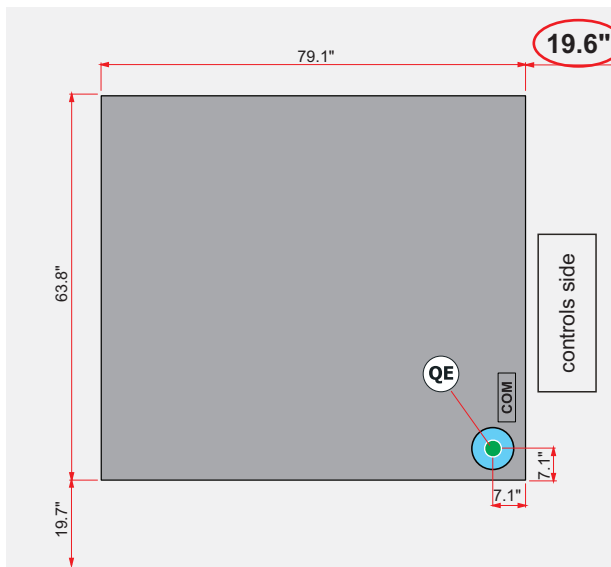


built-in standalone

# Shadow

79.1"x63.8" h.32.7"

## Hydraulic installation - Electrical installation



**standalone** - mandatory empty perimeter area

**built-in** - mandatory area for technical room for inspection

The connections must be placed inside the blue area

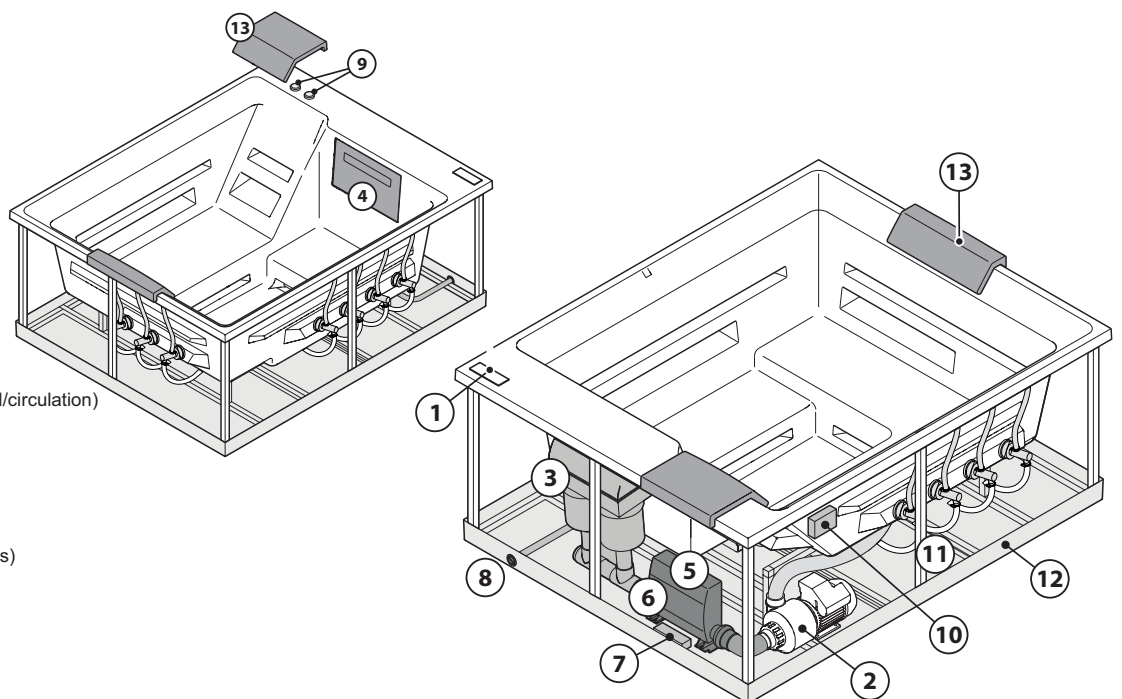
**QE** Electrical connection

**!** It is recommended to install upstream of the hydraulic system of filter faucets. The company declines problems arising from failure to install them

### NOTE

- The electrical system to which the mini-pool will be connected must comply with CEE standards
- **The minipool should be connected to a mains isolator (magnetothermic switch) with min. 3mm spaced contacts and an RCD (differential switch) of max 30mA**
- It is necessary that the building electrical system is equipped with a bipolar disconnecting device
- The electrical system must be equipped with an efficient ground system
- The minipool must be connected to the building's ground system permanently

## Main components



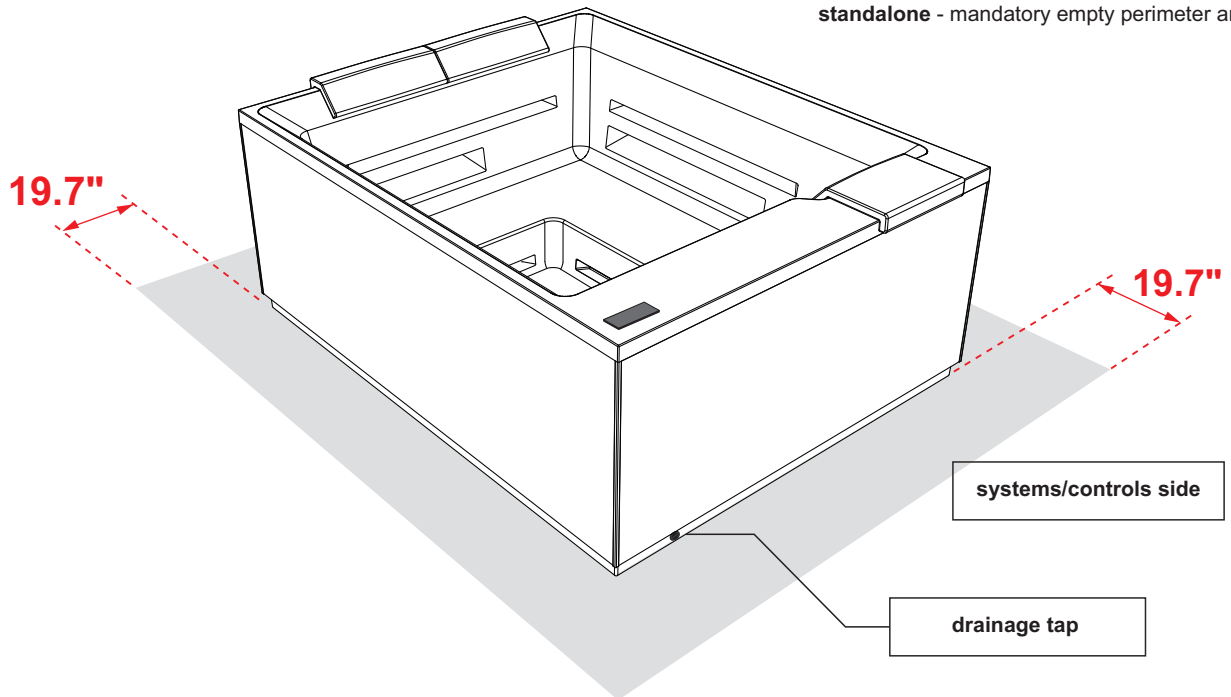
- 1 Control panel
- 2 Motor pump 2 speed (whirlpool/circulation)
- 3 Skimmer with paper filter
- 4 Skimmer cover panel
- 5 Control unit
- 6 Heater
- 7 Chromotherapy control unit
- 8 Drainage tap
- 9 Air regulators (under the pillows)
- 10 Ozonizator
- 11 Frame
- 12 Base
- 13 Pillows

# Shadow

79.1"x63.8" h.32.7"

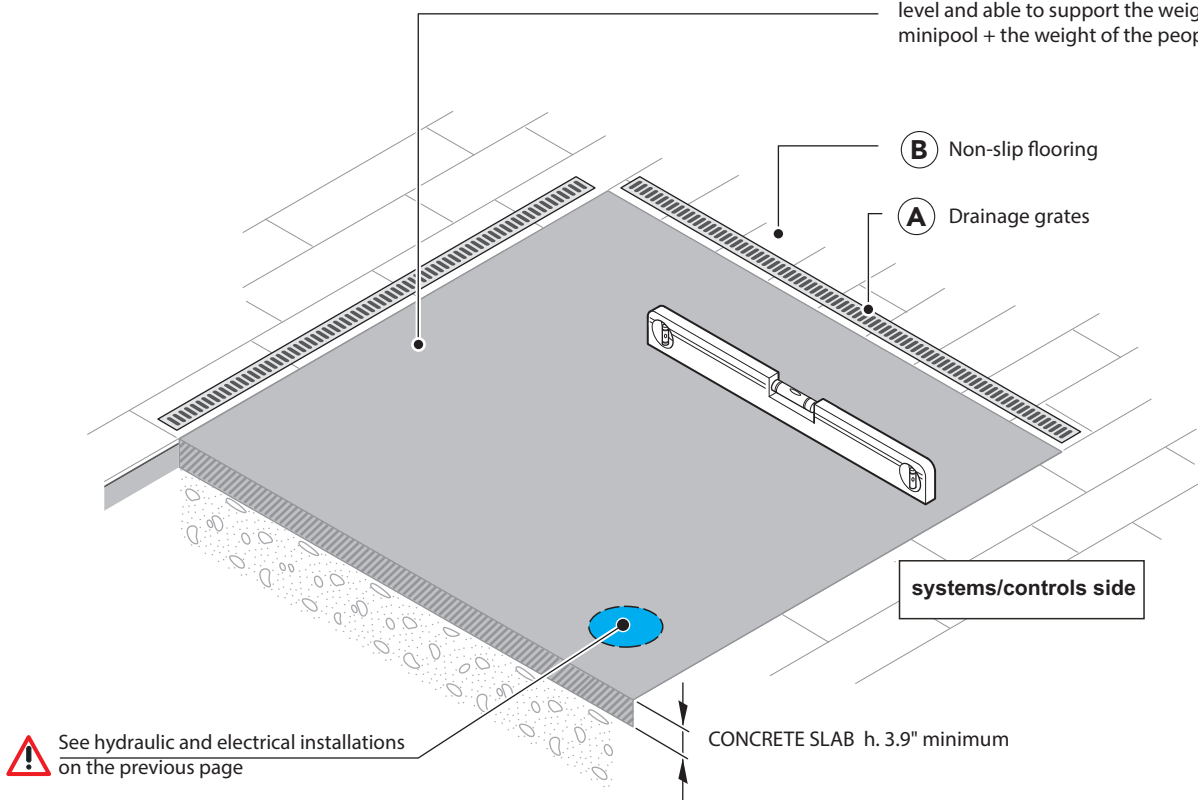
## Free-standing installation

standalone - mandatory empty perimeter area



## Preparation of the installation site

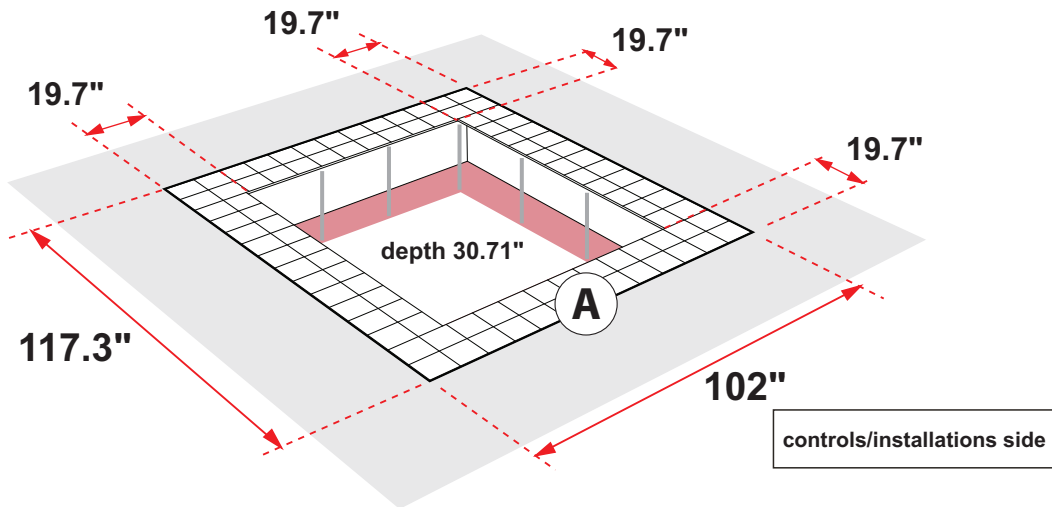
Concrete slab h. 3.9" minimum, perfectly level and able to support the weight of the minipool + the weight of the people within



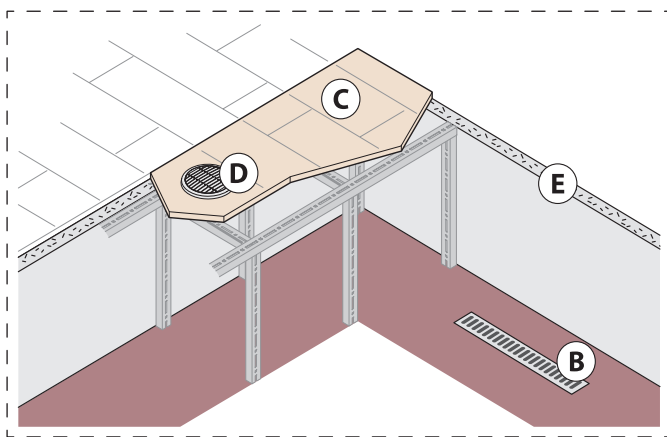
# Shadow

79.1"x63.8" h.32.7"

Built in installation



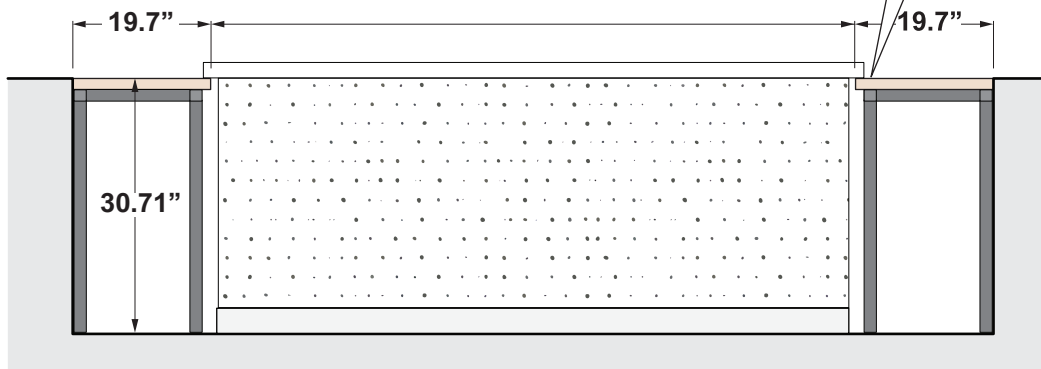
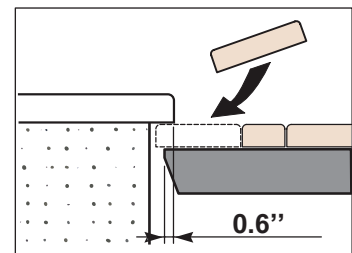
## A INSPECTION COMPARTMENT DETAIL



- A** Perimetric inspection compartment of 19.7" with removable floor
- B** Internal drainage gates
- C** Non-slip flooring
- D** n.2 vents Ø5.9" to ensure proper ventilation of the technical compartment
- E** Insulation to prevent damages from freezing and condensation

NB: we recommend to let the spa discharge its weight on the base and not on the edges.

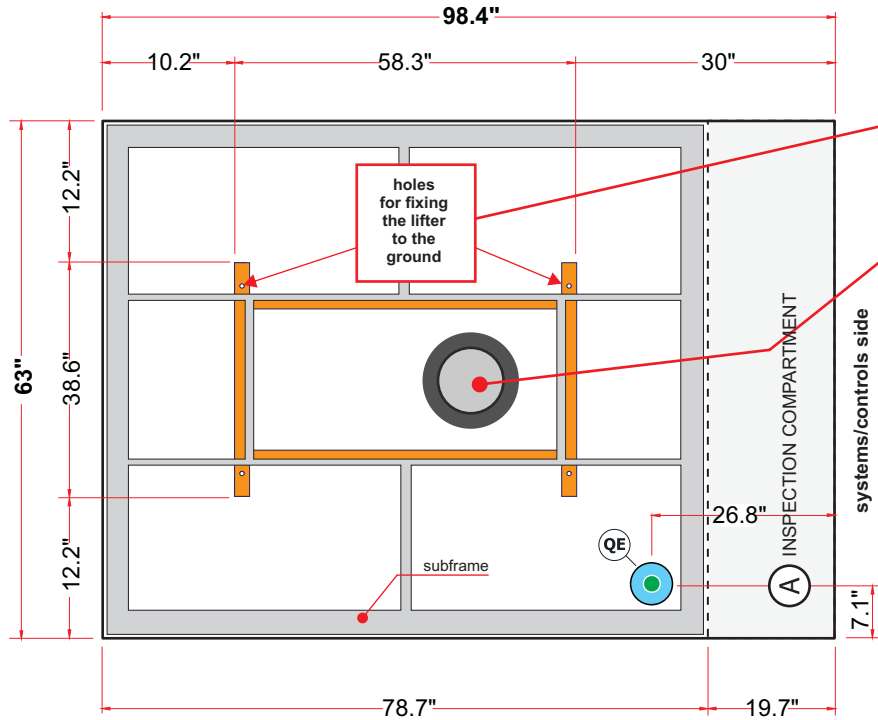
We advice to fix the last line of tiles near the edge once the installation is finished, the result will be a good match between the spa and the covering.



# Shadow

79.1"x63.8" h.32.7"

Built in installation with lifter



## ATTENTION

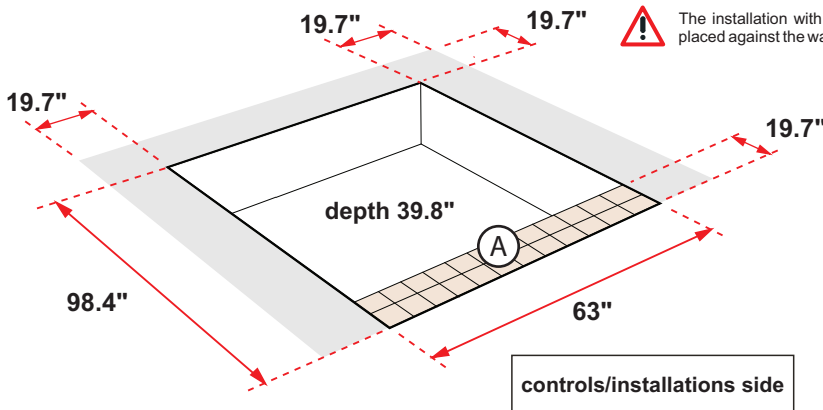
THE AIR CHAMBER OF LIFTER MUST BE ALWAYS ON THE SAME SIDE OF THE CONTROL PANEL OF THE MINIPOOL.

FIXE THE LIFTER TO THE GROUND ONLY AFTER YOU MAKE THE EXCURSION TEST WITH THE SUBFRAME, WITHOUT THE MINIPOOL.

The connections must be placed inside the blue area

QE Electrical connection

It is recommended to install upstream of the hydraulic system of filter faucets. The company declines problems arising from failure to install them



The installation with lifter is in the center of the room, no side can be placed against the wall, a minimum distance of 19.7" be maintained.

Like built-in installations (see previous pg.) must be installed an internal drainage grates, a non-slip flooring, two vents Ø5.9" to ensure a proper ventilation of the technical compartment and an insulation to prevent damages from freezing and condensation.

A INSPECTION COMPARTMENT with removable floor (systems side only)

THE SPA MUST DISCHARGE ITS WEIGHT ON THE BASE AND NOT ON THE EDGES.

