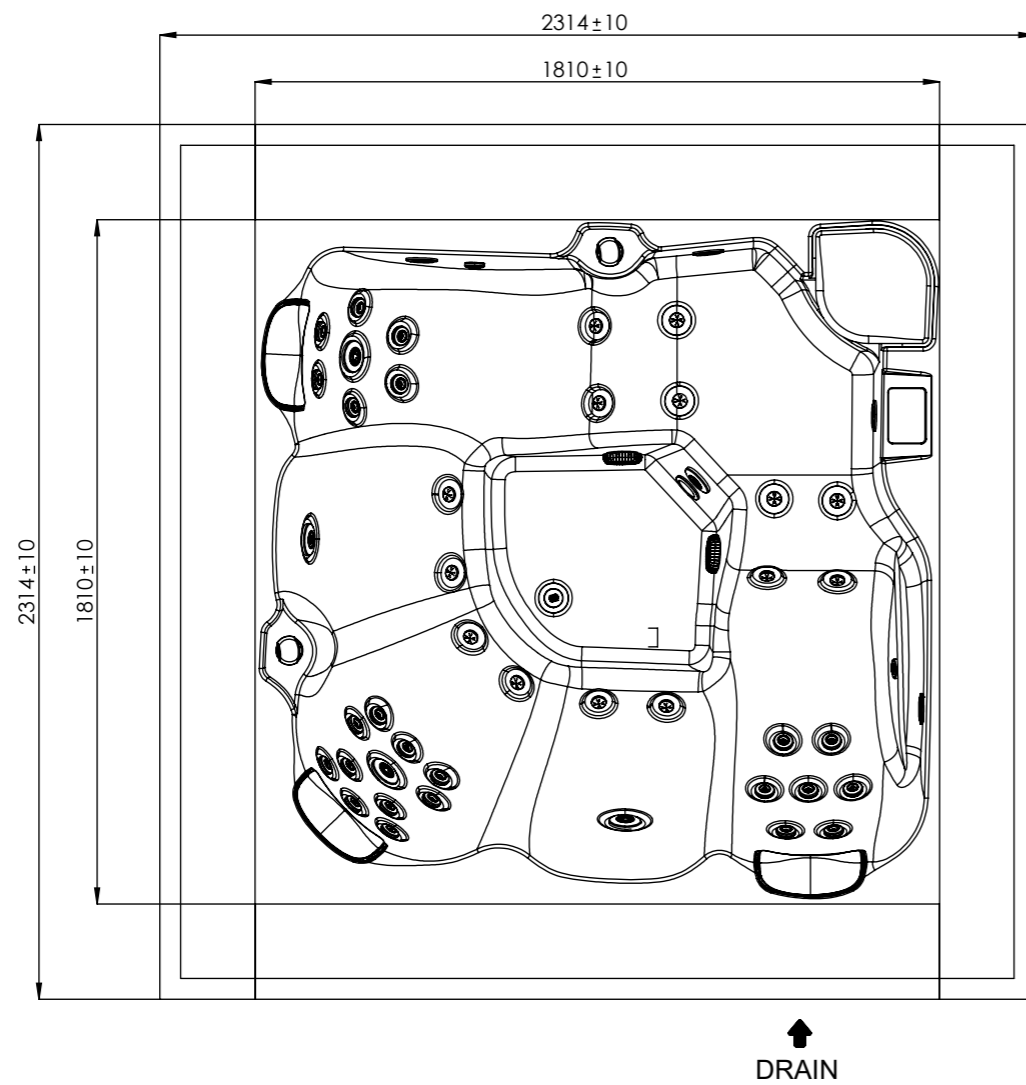
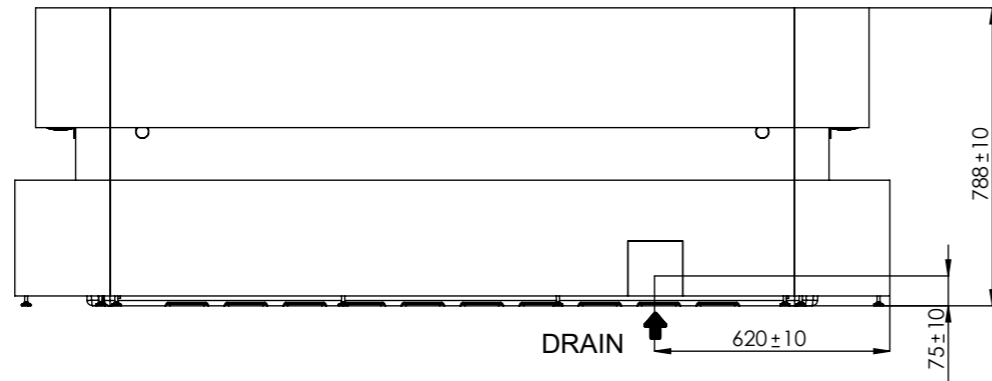
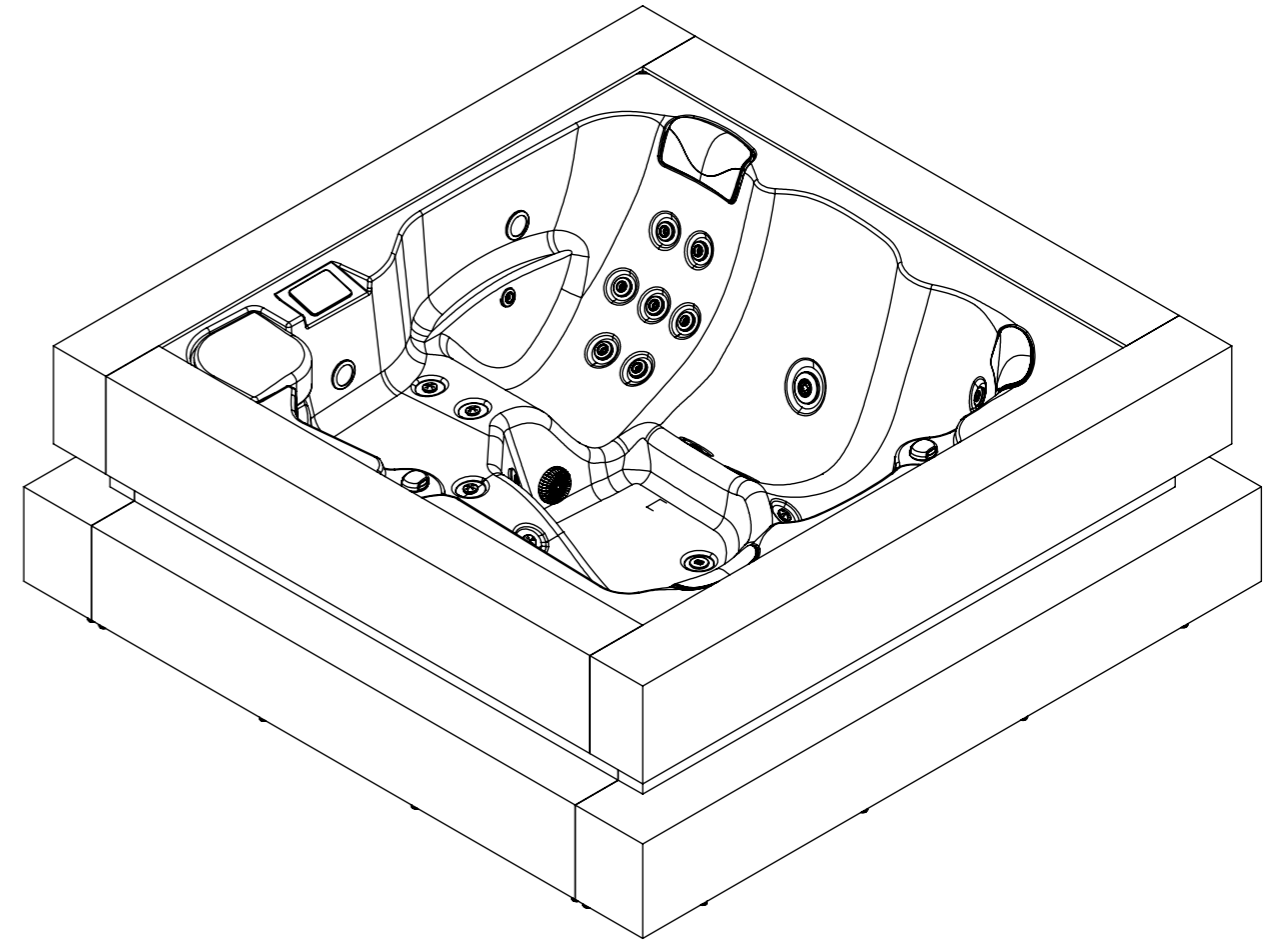


General specifications	
Spa weight (dry)	450 kg
Spa weight (filled)	1425 kg



ELECTRICAL BOARD CONNECTIONS ACCESS



According to our policy of continuous improvement, dimensions, features or components of this product can be partially or completely changed without prior notice.  
It's Customer responsibility to verify that this is the last version of the drawing

04	10/01/2020	I.Rica	Drain position modified
03	18/12/2018	D.Castillo	Spa weight added.
02	02/07/2018	A.Miquel	Jets changed (CMP)
01	05/05/2017	O. Faura	Changing of electronic parts references.
00	29/06/2016	I.Pozo	New spare templates
Change No.	Date	Name	Modification
Remarks			COMMERCIAL
Dimensions in mm. General Tolerances +/- 10mm			
Drawn	10/01/2019	I.Rica	Part Number <b>67100</b>
Checked	-	X.Codina	
Scale 1:20	General Tolerance DIN 7168 ISO 2768g		Rev. <b>05</b>
Sheet 1/1			
<b>CASA BLUI</b>			First Angle Projection 