

Muse GP US standalone

110.2" x 92.5" h.38.6

Technical features

Max water capacity	660 gal.
Whirlpool jets	42 <small>(14 plus 28 small)</small> 8 <small>(optional)</small>
Airpool jets	47

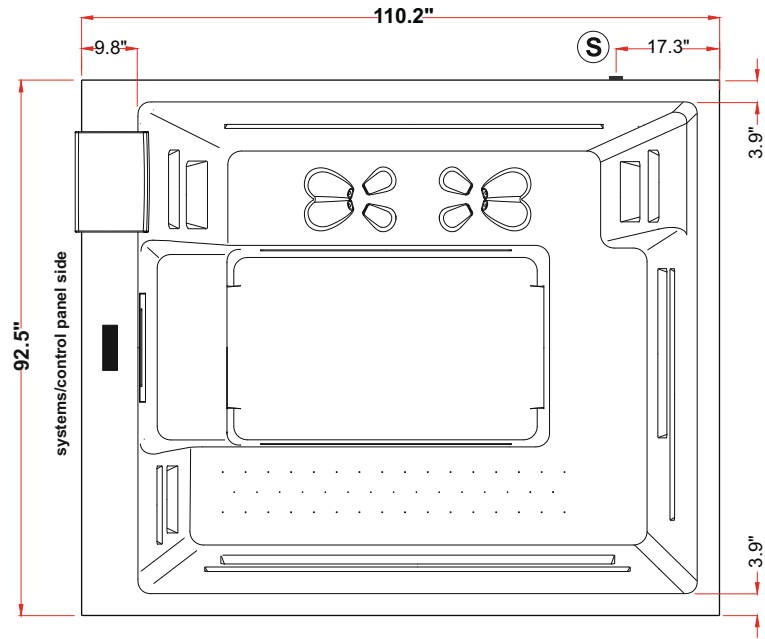
Dimensional features

Packaging volume	7.5 m ³
Dry weight	992 lb
Wet weight	6503 lb

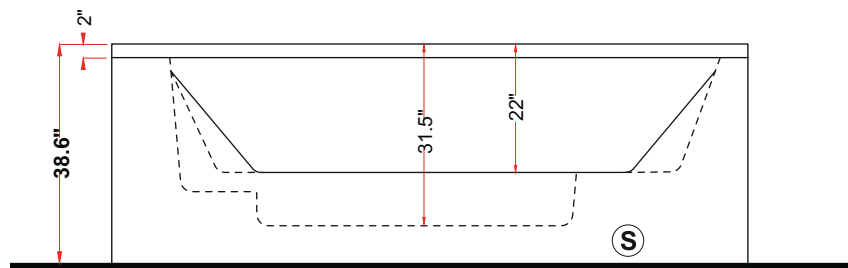
Electrical features

Voltage	2 x 120 V
Amperage	46.5 A
Frequency	60 Hz
WHIRLPOOL absorbed power	2.0 Kw 2.3 Kw <small>(with 8 jets optional)</small>
CIRCULATION motor	0.69 Kw
Temperature controller	5.5 Kw
AIRPOOL absorbed power	800 watt <small>(only for Ba02)</small>

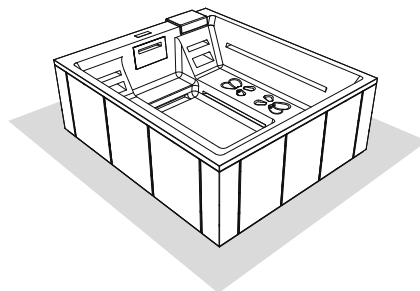
Technical drawing



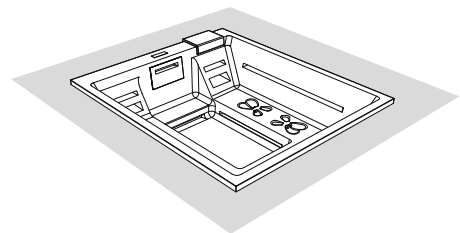
S Draining valve



Installations allowed



standalone

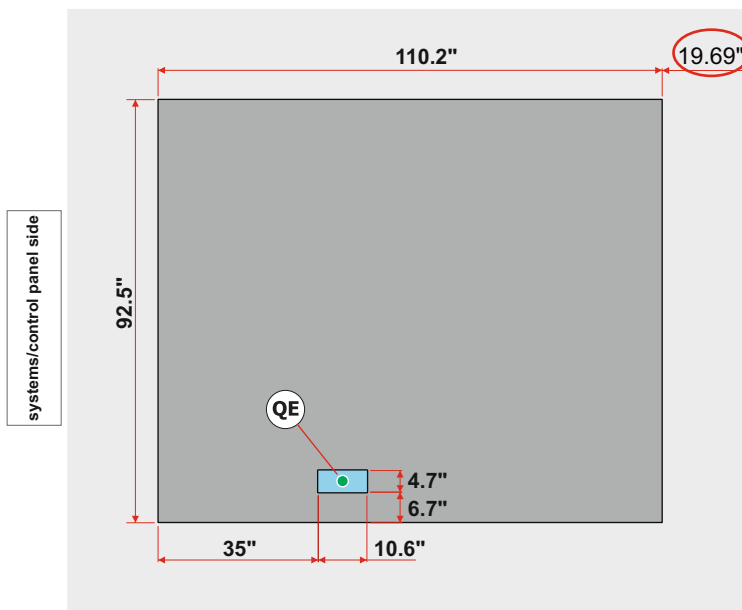


built-in standalone

Muse GP

110.2" x 92.5" h.38.6"

Hydraulic installation - Electrical installation



standalone - mandatory empty perimeter area

built-in - mandatory area for technical room for inspection

The connections must be placed inside the blue area

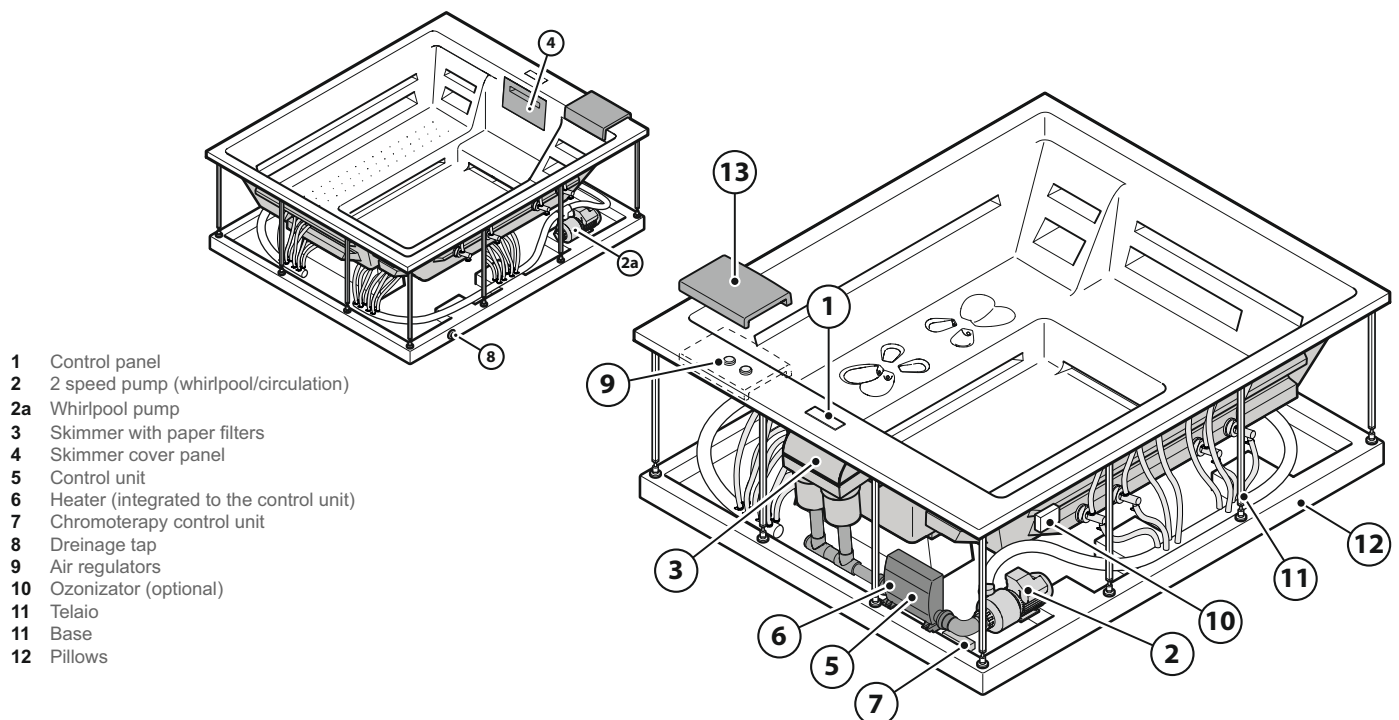
● **QE** Electrical connection

! It is recommended to install upstream of the hydraulic system of filter faucets. The company declines problems arising from failure to install them

NOTE

- The electrical system to which the mini-pool will be connected must comply with CEE standards
- The minipool should be connected to a mains isolator (magneto-thermic switch) with min. 3mm spaced contacts and an RCD (differential switch) of max 30mA
- It is necessary that the building electrical system is equipped with a bipolar disconnecting device
- The electrical system must be equipped with an efficient ground system
- The minipool must be connected to the building's ground system permanently

Main components



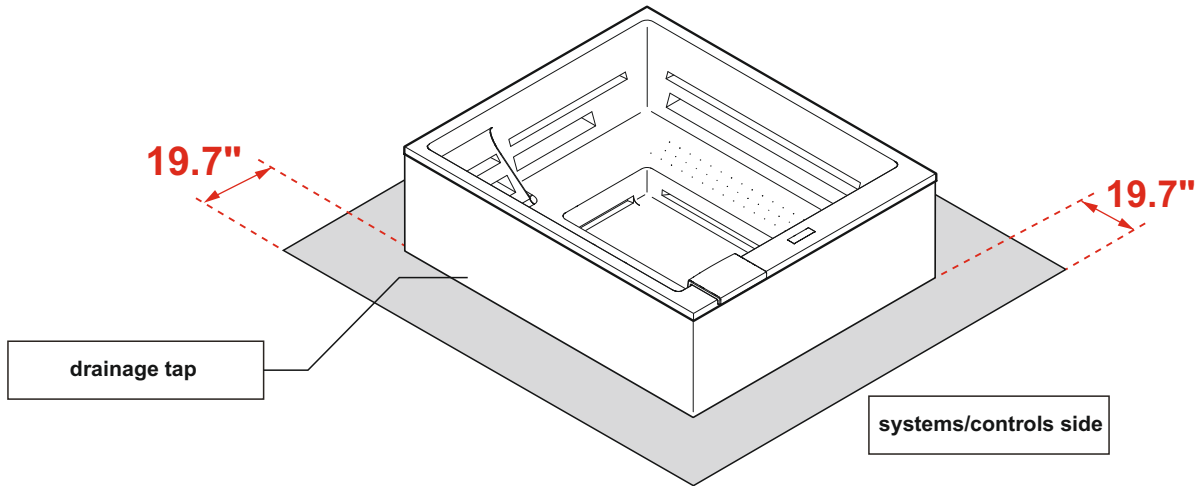
- 1 Control panel
- 2 2 speed pump (whirlpool/circulation)
- 2a Whirlpool pump
- 3 Skimmer with paper filters
- 4 Skimmer cover panel
- 5 Control unit
- 6 Heater (integrated to the control unit)
- 7 Chromotherapy control unit
- 8 Drainage tap
- 9 Air regulators
- 10 Ozonizer (optional)
- 11 Telaio
- 11 Base
- 12 Pillows

Muse GP

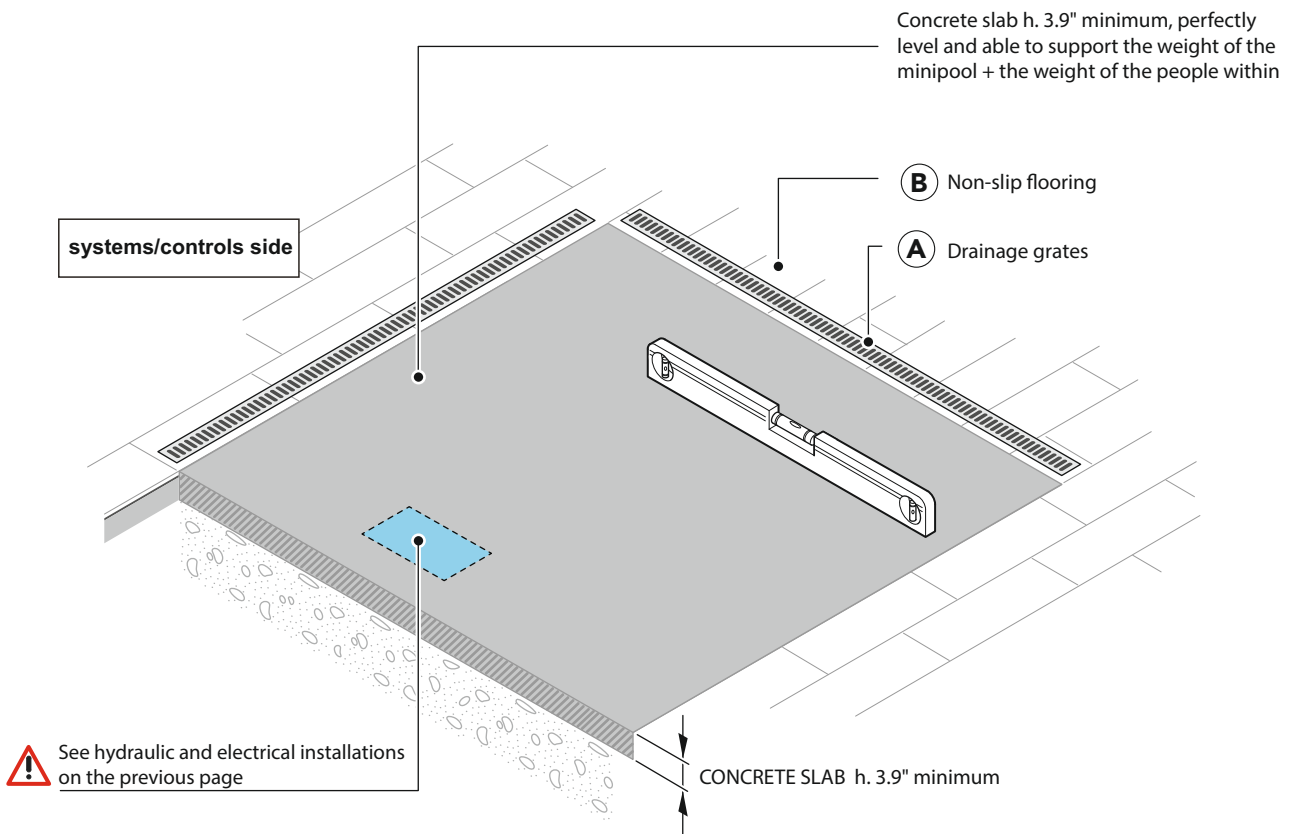
110.2" x 92.5" h.38.6"

Installazione fuori terra / Free-standing installation

standalone - mandatory empty perimeter area



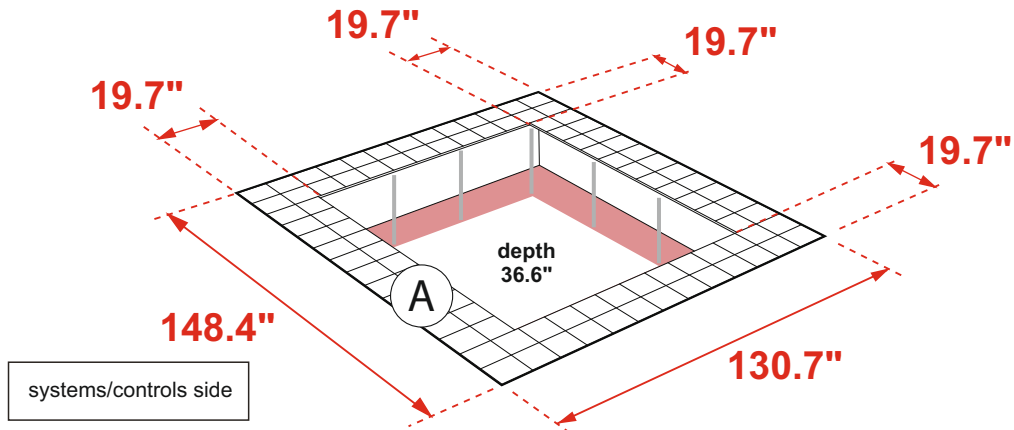
Preparation of the installation site



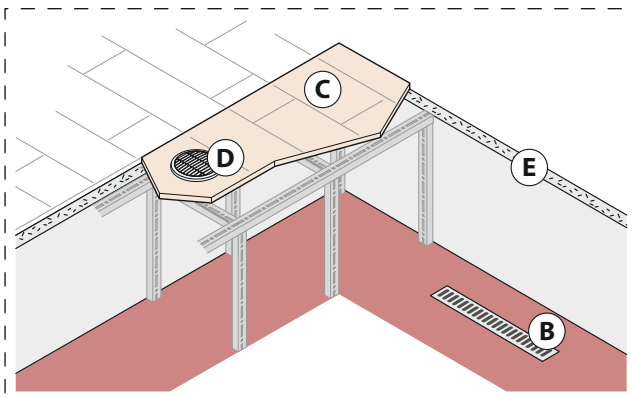
Muse GP

110.2" x 92.5" h.38.6"

Built in installation



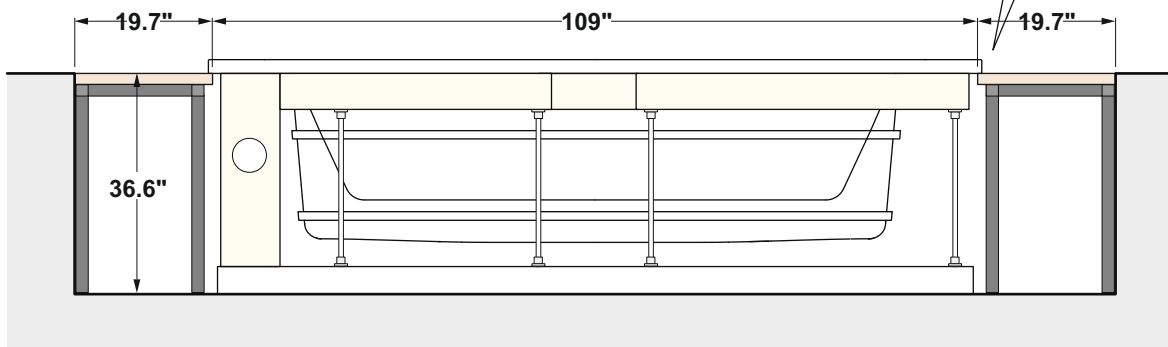
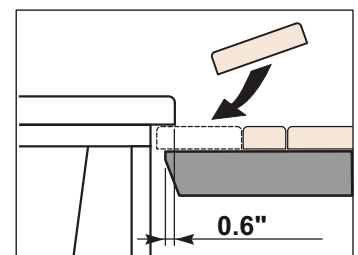
A INSPECTION COMPARTMENT DETAILS



- A Perimetric inspection compartment of 19.7" with removable floor
- B Internal drainage grates
- C Non-slip flooring
- D n°2 Ø5.9" vents to ensure proper ventilation of the technical compartment
- E Insulation: prevents damage from freezing and condensation

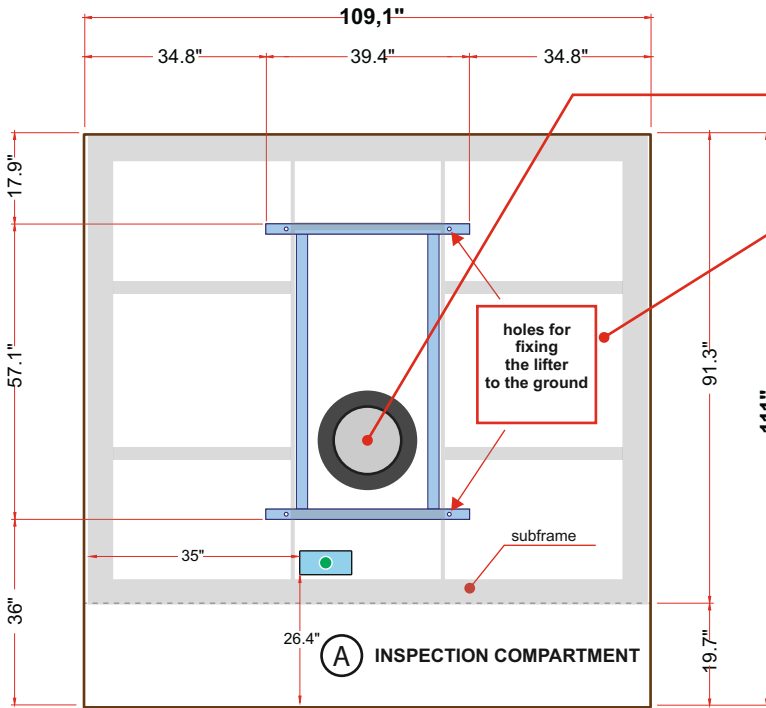
NB: we recommend to let the spa discharge its weight on the base and not on the edges.

We advice to fix the last line of tiles near the edge once the installation is finished, the result will be a good match between the spa and the covering.



Muse GP

110.2" x 92.5" h.38.6"



⚠ ATTENTION

FIXE THE LIFTER TO THE GROUND ONLY AFTER YOU MAKE THE EXCURSION TEST WITH THE SUBFRAME, WITHOUT THE MINIPOOL.

THE AIR CHAMBER OF LIFTER MUST BE ALWAYS ON THE SAME SIDE OF THE CONTROL PANEL OF THE MINIPOOL

The connections must be placed inside the blue area

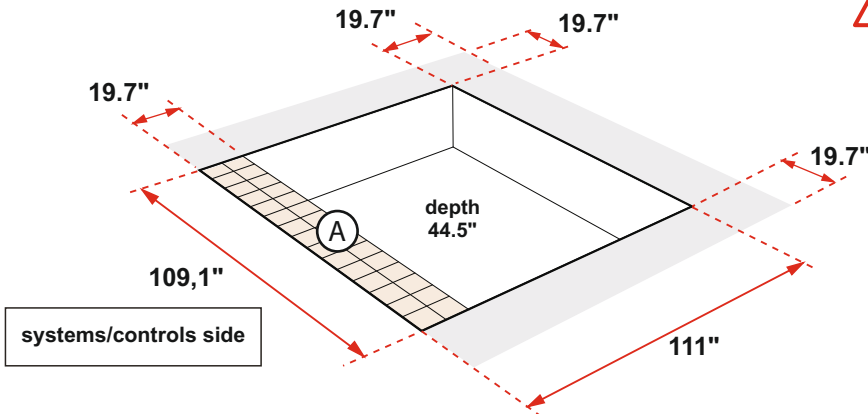
● (QE) Electrical connection

⚠ ATTENTION

It is recommended to install upstream of the hydraulic system of filter faucets. The company declines problems arising from failure to install them

systems/controls side

⚠ The installation with lifter is in the center of the room, no side can be placed against the wall, a minimum distance of 19.7" be maintained.



Like built-in installations (see previous pg.) must be installed an internal drainage grates, a non-slip flooring, two vents Ø5.9" to ensure a proper ventilation of the technical compartment and an insulation to prevent damages from freezing and condensation.

(A) INSPECTION COMPARTMENT with removable floor (systems side only)

NB: we recommend to let the spa discharge its weight on the base and not on the edges.

