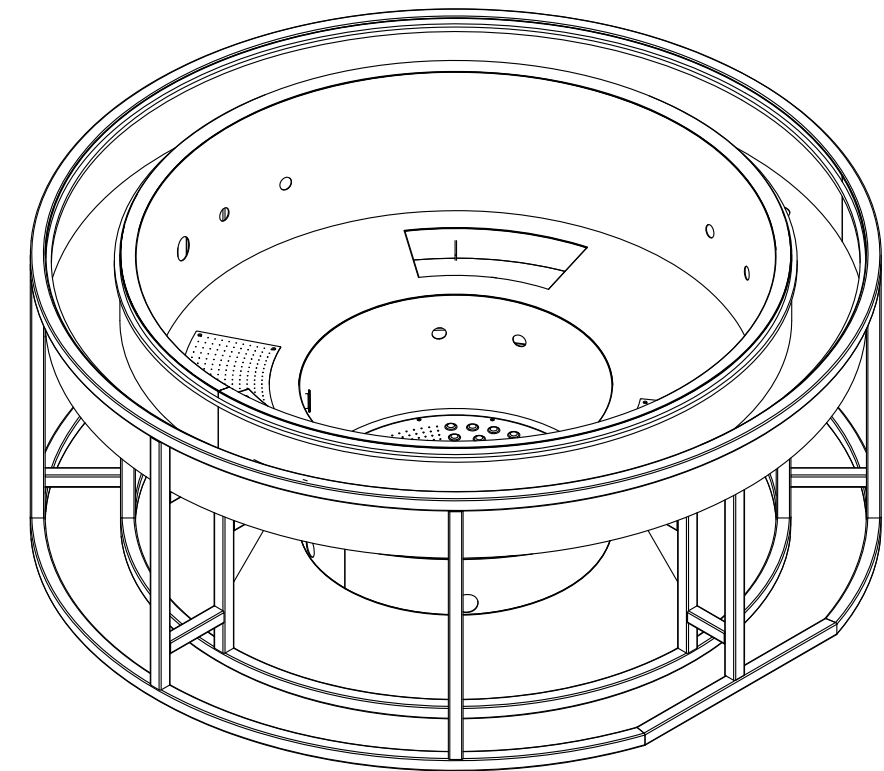
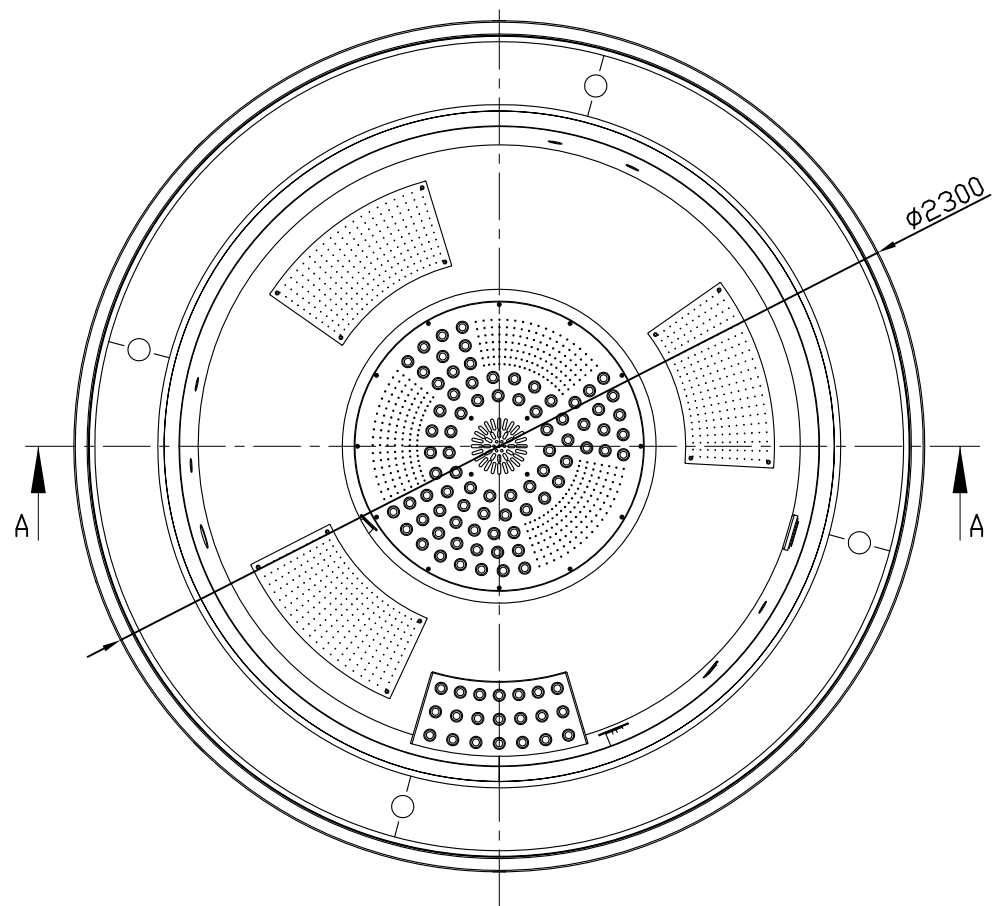




SECTION A-A



According to our policy of continuous improvement, dimensions, features or components of this product can be partially or completely changed without prior notice.
It's Customer responsibility to verify that this is the last version of the drawing

00	08/04/13	I.Pozo	Drawing creation			
Change No.	Date	Name	Modification			
Remarks				COMMERCIAL DRAWING		
Dimensions in mm. General Tolerances +/- 10mm						
Drawn	08/04/2013	I.Pozo		Part Number	Rev.	First Angle Projection
Checked		I.Nicolas		43723	00	
Scale	1:20	General Tolerance DIN 7168 ISO 2768g				